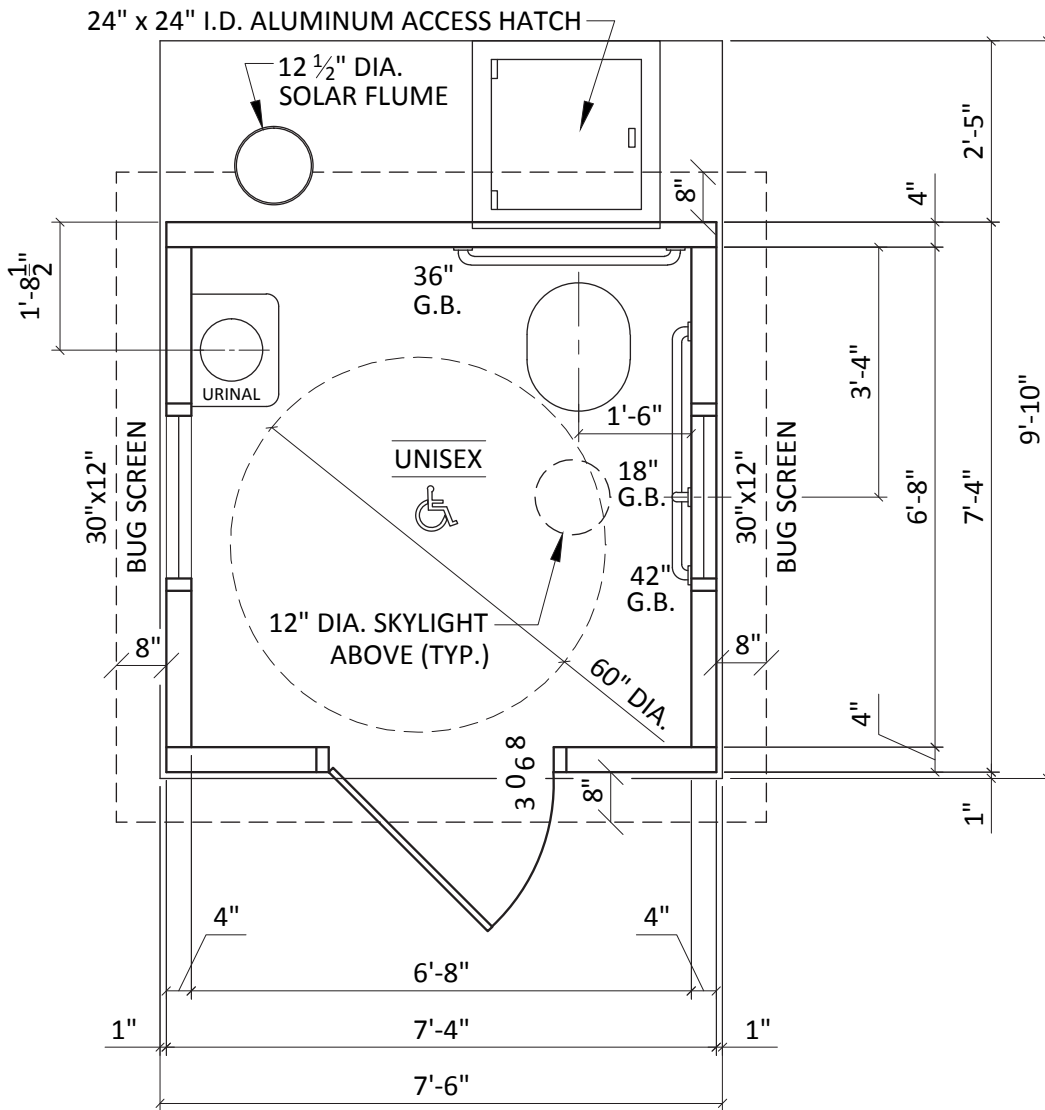


- VAULT -

# TEAL

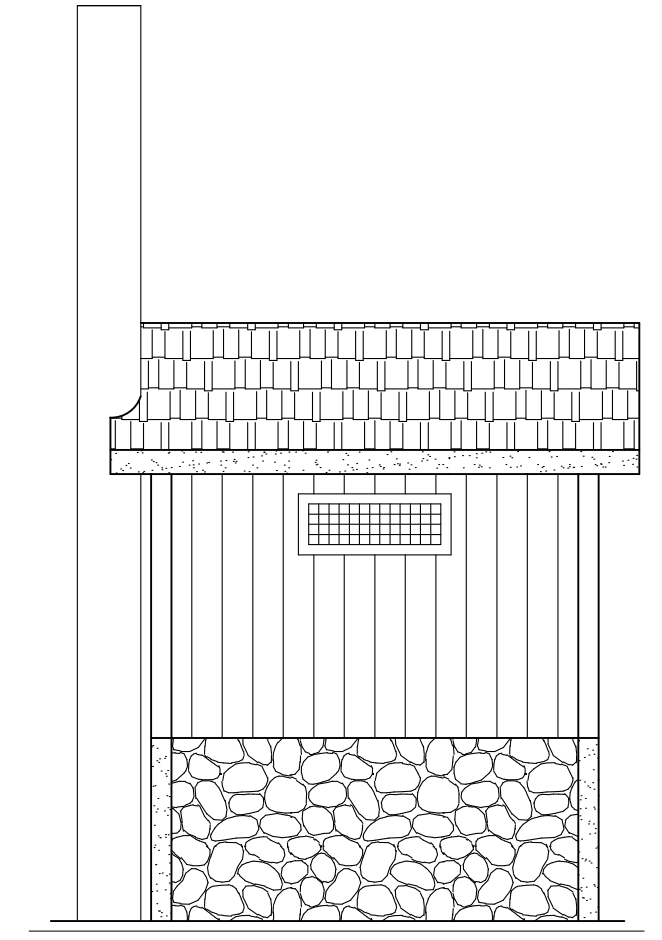
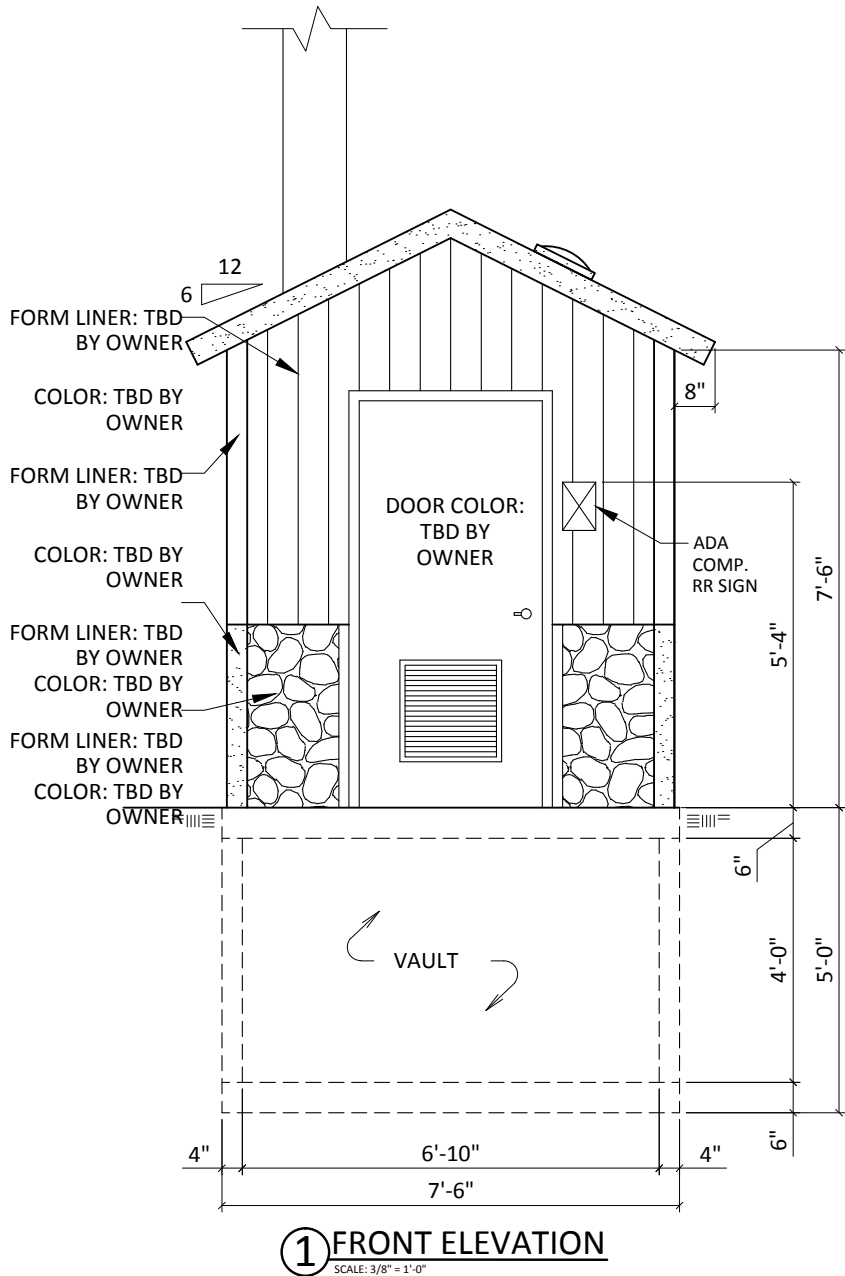


**1** FLOOR PLAN  
SCALE: 3/8" = 1'-0"



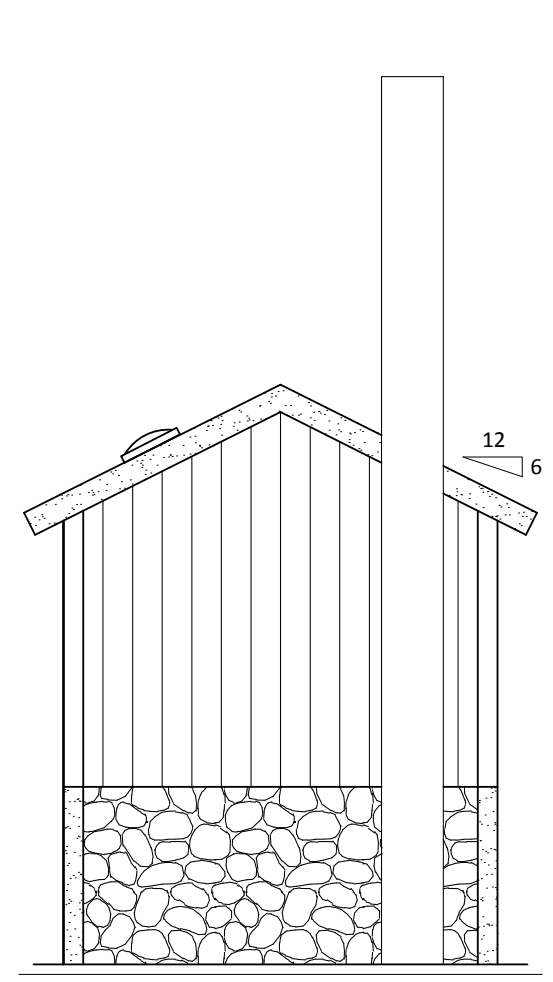
Floor plans are for reference only. This drawing shall not be copied or submitted to others without the consent of this company.

4154 123rd St. Chippewa Falls, WI 54729 | 715-723-7446  
HUFFCUTT.COM

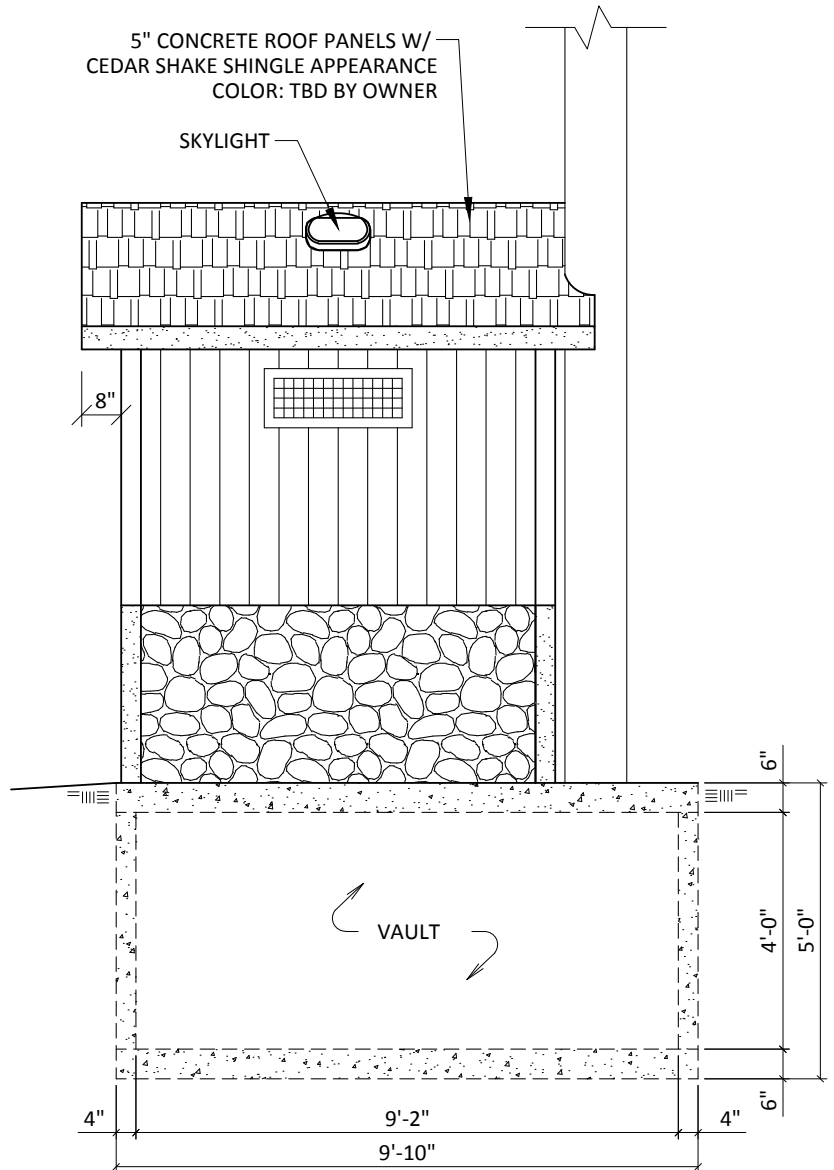


Floor plans are for reference only. This drawing shall not be copied or submitted to others without the consent of this company.

4154 123rd St. Chippewa Falls, WI 54729 | 715-723-7446  
HUFFCUTT.COM



**① REAR ELEVATION**  
SCALE: 3/8" = 1'-0"



**② RIGHT ELEVATION**  
SCALE: 3/8" = 1'-0"

5" CONCRETE ROOF PANELS W/  
CEDAR SHAKE SHINGLE APPEARANCE  
COLOR: TBD BY OWNER

SKYLIGHT

12  
6

8"

VAULT

6"

4'-0"

5'-0"

4"

9'-2"

9'-10"

4"

6"



Floor plans are for reference only. This drawing shall not be copied or submitted to others without the consent of this company.

4154 123rd St. Chippewa Falls, WI 54729 | 715-723-7446  
HUFFCUTT.COM

# SPECIFICATIONS

## PART 1 – GENERAL

### 1. SCOPE

1.1. Construction and onsite placement of a prefabricated precast concrete vault toilet building.

### 2. MANUFACTURER

2.1. Manufacturer shall be Huffcutt Concrete or a pre-approved equal.

2.2. Manufacturer shall be an NPCA Certified Plant or equal with verifiable references demonstrating quality, design and service upon request.

2.3. Manufacturer will provide a written warranty providing 20 years structural, manufacturer's warranty on all hardware and components not produced at precast concrete manufacturer's plant, and 3 years against defects in paint, caulk, and grout.

### 3. DESIGN

3.1. Building will be manufactured using precast concrete including the roof. Building's structural design will be relevant to the region and properties associated with its final placement. Design will also meet ADA and building code requirements.

### 4. SUBMITTALS

4.1. Manufacturer shall provide submittals and engineering if requested.

## PART 2 – PRODUCTS

### 1. MATERIALS

#### 1.1. Doors and Frames

1.1.1. Doors shall be 18ga galvanized metal, louvered with 16ga frames. Doors and frames shall include one coat of rust inhibitive primer and two finish coats of enamel paint.

#### 1.2. Door Hardware

1.2.1. Aluminum drip cap. Reese or equal.

1.2.2. Door closure with hold open. Cal-Royal or equal.

1.2.3. Stainless hinges with non-removable pin. Cal-Royal or equal.

1.2.4. Grade 1 lockset. Function and keying to be verified with owner.

1.2.5. Brush style sweep. Reese or equal.

1.2.6. ADA compliant threshold. Reese or equal.

#### 1.3. Windows

1.3.1. Vinyl frame, bug screen and security mesh. Parco or equal.

#### 1.4. Interior Hardware

1.4.1. Stainless 3 roll toilet paper dispensers.

1.4.2. ADA toilet stalls shall have (1) 18" stainless vertical grab bar, (1) 36" stainless horizontal grab bar, (1) 42" stainless horizontal grab bar.

1.4.3. Stainless floor mounted urinal.

1.4.4. Plastic handicap toilet riser. Romtec or equal.

1.5. Vent Pipes

1.5.1. Vent pipes shall be 12" and made of HDPE. Vent pipe shall extend approximately 36" above the roof line.

1.6. Access/Clean Out Hatch

1.6.1. Access/clean out hatch shall have a 24" x 24" clear opening, made from aluminum and be rated for a 300 psf pedestrian load. Cover shall be hinged with a kickstand to prevent accidental closing. Cover shall include a slam lock with T handle for locking.

1.7. Sealers

1.7.1. Floor shall be sealed using a deep penetrating, high alkali resistant, low volatility product. TK-290 or equal.

1.8. Caulks and Grout

1.8.1. All joints between precast panels shall be caulked using a durable, flexible polyurethane sealant. BASF Sonolastic NP-1 or equal.

1.8.2. Weld plate panel connections shall be grouted flush with interior wall surface. Speed Crete Red Line or equal.

1.9. Vault

1.9.1. Vault shall be lined with a factory installed membrane. MEL-ROL LM or equal.

2. FINISHES

2.1. Interior

2.1.1. Smooth trowel finish.

2.2. Exterior

2.2.1. Exterior wall appearance to be approved by owner using an architectural form liner.

2.2.2. Roof shall be cedar shake architectural form liner.

2.3. Paint

2.3.1. Interior

2.3.1.1. Wall panels shall be primed with a premium quality water based acrylic bonding primer moisture and alkali resistant. Finish coat shall be a high performance acrylic enamel.

2.3.2. Exterior

2.3.2.1. Roof shall be covered with a quality 100% acrylic satin paint. Owner to determine color.

2.3.2.2. Walls shall be covered with a quality concrete stain. Owner to determine color.

2.3.2.3. Doors shall be covered using 2 coats of a high performance 100% acrylic satin enamel. Owner to determine color.

**Part 3 – Execution**

1. PRECAST CONCRETE VAULT TOILET BUILDING

1.1. Building manufacturer shall construct, assemble, and paint at their plant so that it may be transported to the jobsite as a finished module and placed using a crane.

2. ONSITE

2.1. Contractor shall provide adequate access and a level pad for the crane and semis to sit side by side under their own power. Working radius shall be 35' from center pin on crane.

2.2. Contractor shall provide all excavation, backfilling, and finish grading for vault toilet building. In addition contractor shall provide suitable bedding of sand or granular material for the vault.

2.3. Manufacturer will install HDPE vent pipes and perform any shipping and handling adjustments and repairs.

