

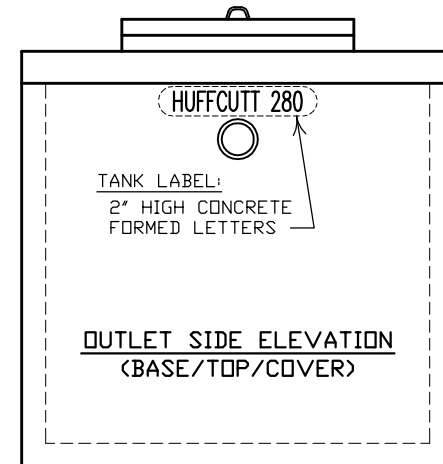
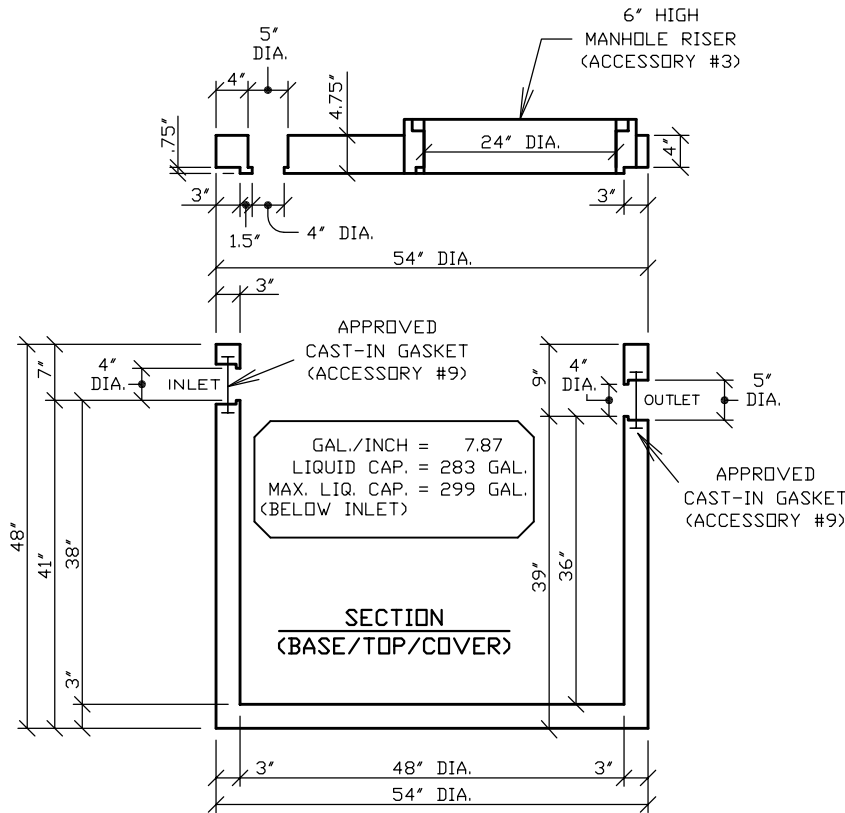
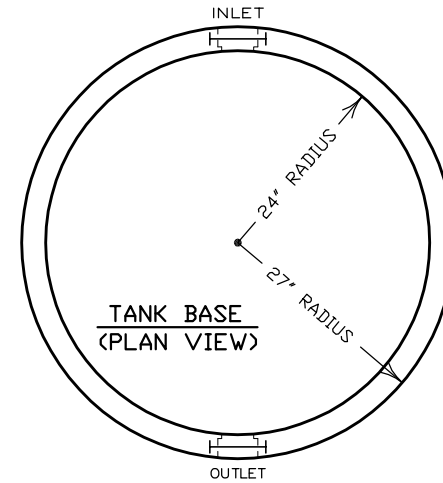
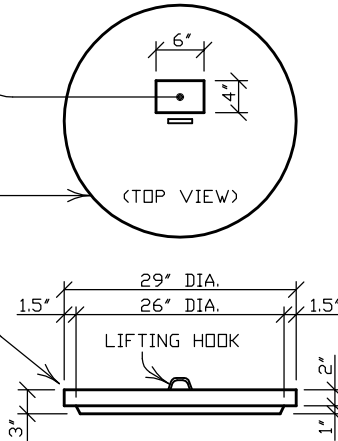
WARNING LABEL EMBEDDED INTO
CONCRETE COVER READS AS FOLLOWS:

CAUTION:

DO NOT ENTER WITHOUT PROPER VENTILATION.
COULD CAUSE DEATH...DANGEROUS GAS.

29" DIAMETER CONCRETE COVER (TYPICAL)

SEE "ACCESSORIES" FOR OTHER COVER OPTIONS



N.P.C.A. CERTIFIED PLANT
&
MEMBER OF:
NATIONAL & WISCONSIN PRECAST CONCRETE ASSOCIATIONS

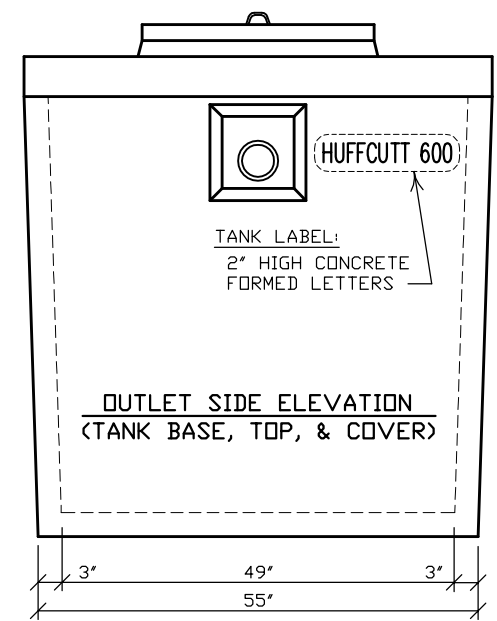
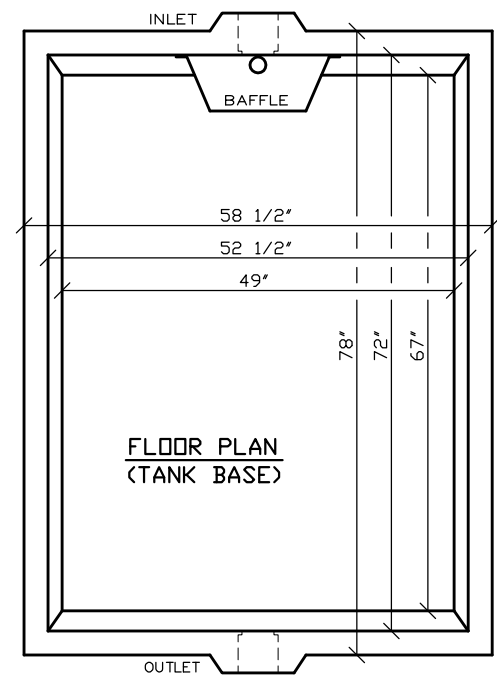
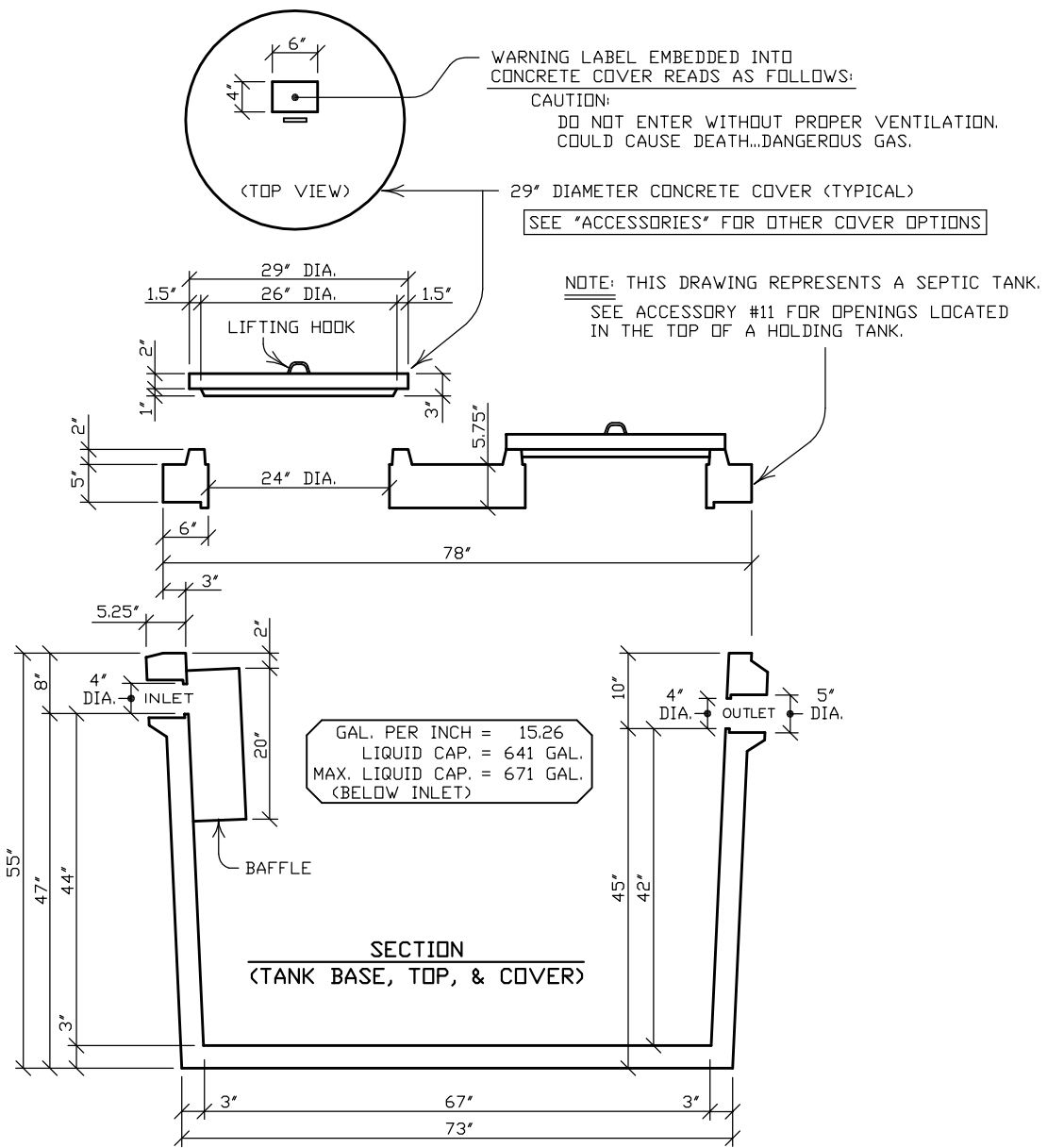
THIS DRAWING SHALL NOT
BE COPIED OR SUBMITTED
TO OTHERS WITHOUT THE
CONSENT OF THIS COMPANY.

4154 123RD STREET
CHIPPEWA FALLS, WI 54729
(715) 723-7446 * (800) 924-1516
FAX (715) 723-7111 * www.huffcutt.com

HUFFCUTT
CONCRETE, INC.

PROJECT:
280 GALLON - ROUND
PUMP, SEPTIC, SIPHON,
OR HOLDING TANK

1 of 1



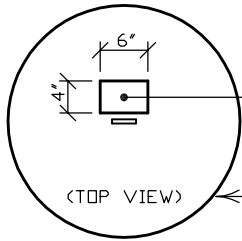
N.P.C.A. CERTIFIED PLANT
&
MEMBER OF:
NATIONAL & WISCONSIN PRECAST CONCRETE ASSOCIATIONS

THIS DRAWING SHALL NOT BE COPIED OR SUBMITTED TO OTHERS WITHOUT THE CONSENT OF THIS COMPANY.

4154 123rd STREET
CHIPPEWA FALLS, WI 54729
(715) 723-7446 * (800) 924-1516
FAX (715) 723-7111 * www.huffcutt.com



PROJECT:
600 GALLON
PUMP, SEPTIC,
OR HOLDING TANK



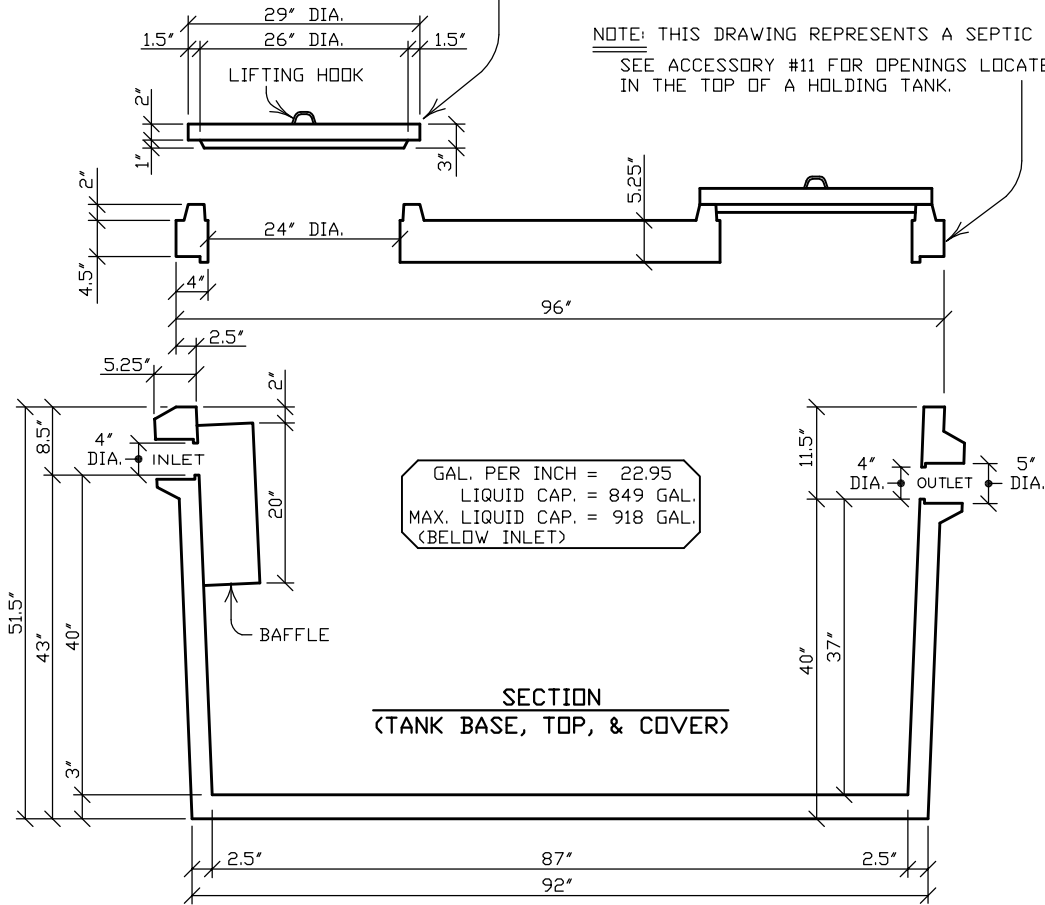
WARNING LABEL EMBEDDED INTO CONCRETE COVER READS AS FOLLOWS:

CAUTION:
DO NOT ENTER WITHOUT PROPER VENTILATION.
COULD CAUSE DEATH...DANGEROUS GAS.

29" DIAMETER CONCRETE COVER (TYPICAL)

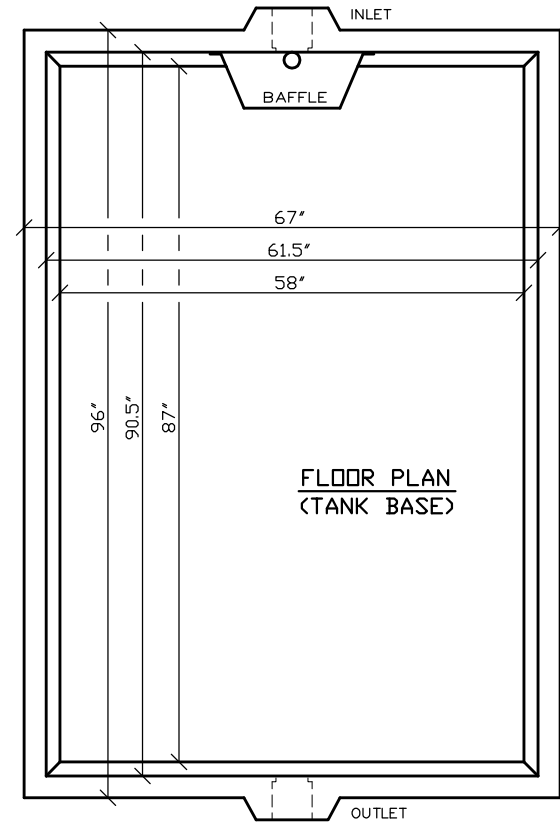
SEE "ACCESSORIES" FOR OTHER COVER OPTIONS

NOTE: THIS DRAWING REPRESENTS A SEPTIC TANK.
SEE ACCESSORY #11 FOR OPENINGS LOCATED
IN THE TOP OF A HOLDING TANK.

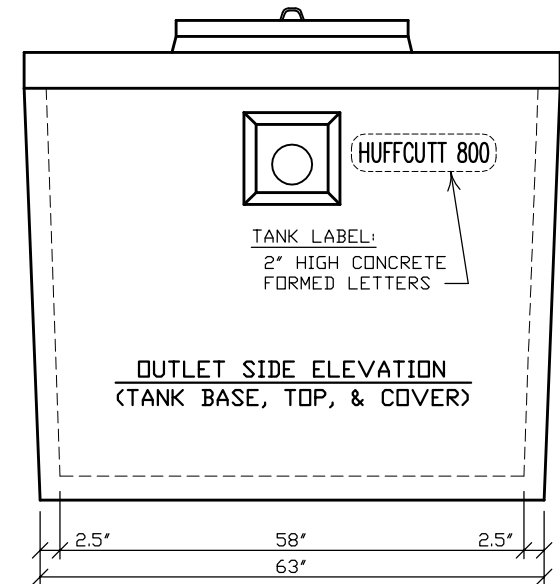


GAL. PER INCH = 22.95
LIQUID CAP. = 849 GAL.
MAX. LIQUID CAP. = 918 GAL.
(BELOW INLET)

SECTION
(TANK BASE, TOP, & COVER)



FLOOR PLAN
(TANK BASE)



OUTLET SIDE ELEVATION
(TANK BASE, TOP, & COVER)

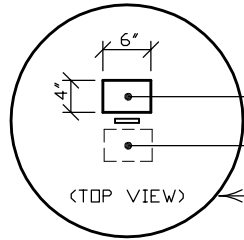
N.P.C.A. CERTIFIED PLANT
&
MEMBER OF:
NATIONAL & WISCONSIN PRECAST CONCRETE ASSOCIATIONS

THIS DRAWING SHALL NOT
BE COPIED OR SUBMITTED
TO OTHERS WITHOUT THE
CONSENT OF THIS COMPANY.

4154 123rd STREET
CHIPPEWA FALLS, WI 54729
(715) 723-7446 * (800) 924-1516
FAX (715) 723-7111 * www.huffcutt.com



PROJECT:
800 GAL. LOW PROFILE
PUMP, SEPTIC,
OR HOLDING TANK



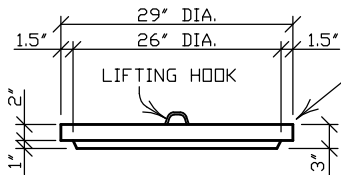
WARNING LABEL EMBEDDED INTO CONCRETE COVER READS AS FOLLOWS:

CAUTION:
DO NOT ENTER WITHOUT PROPER VENTILATION.
COULD CAUSE DEATH...DANGEROUS GAS.

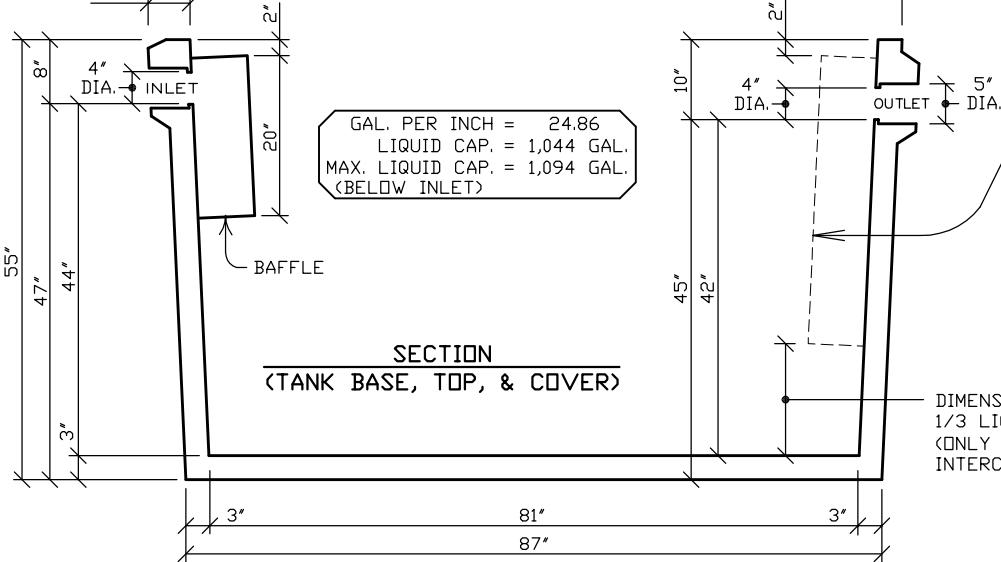
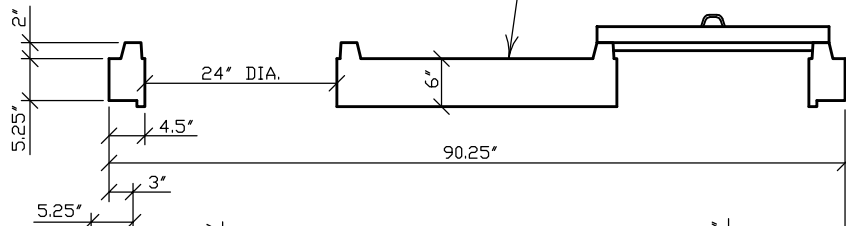
NOTE: ADDITIONAL LABEL FOR GREASE INTERCEPTOR.
INFORMATIONAL LABEL READS AS FOLLOWS:
GREASE INTERCEPTOR

29" DIAMETER CONCRETE COVER (TYPICAL)

SEE "ACCESSORIES" FOR OTHER COVER OPTIONS

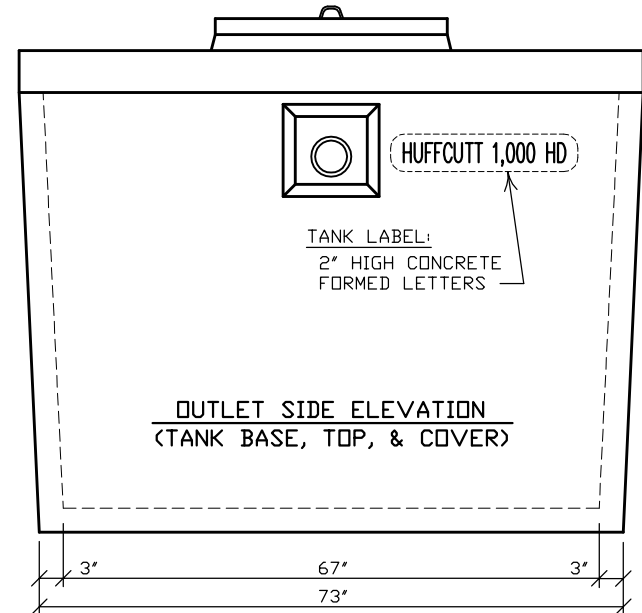
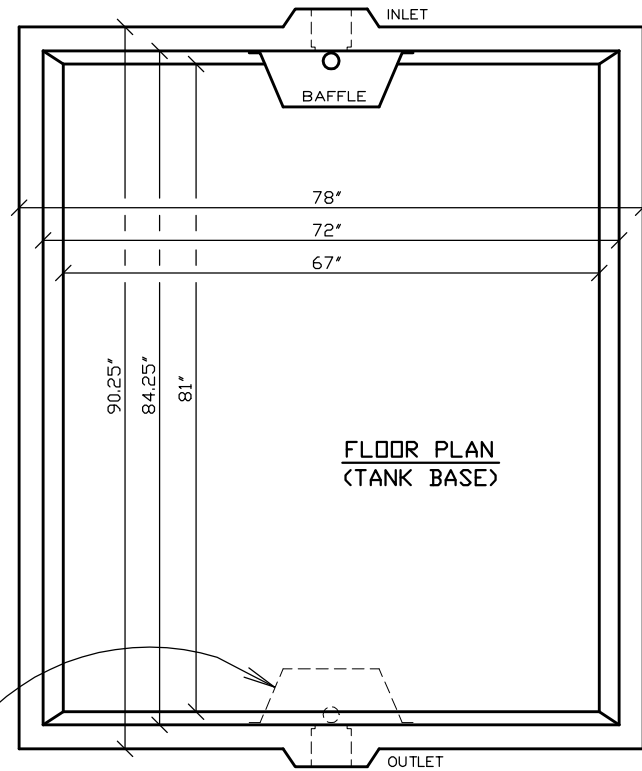


NOTE: THIS DRAWING REPRESENTS A SEPTIC TANK.
SEE ACCESSORY #11 FOR OPENINGS LOCATED
IN THE TOP OF A HOLDING TANK.



DIMENSION EQUALS
1/3 LIQUID LEVEL.
(ONLY FOR GREASE
INTERCEPTOR)

NOTE: ADDITIONAL BAFFLE
FOR GREASE INTERCEPTOR.



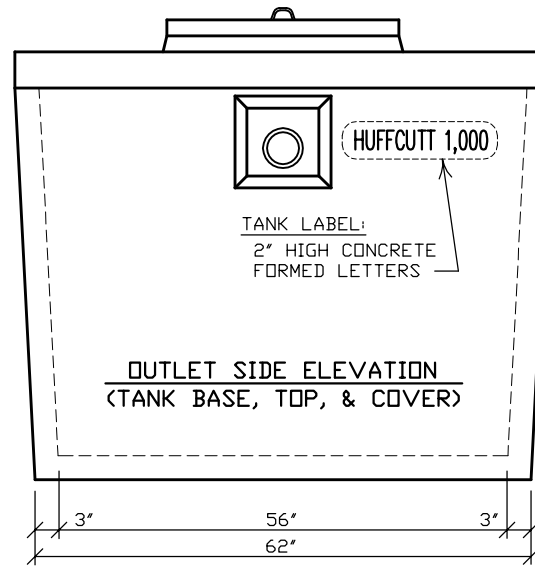
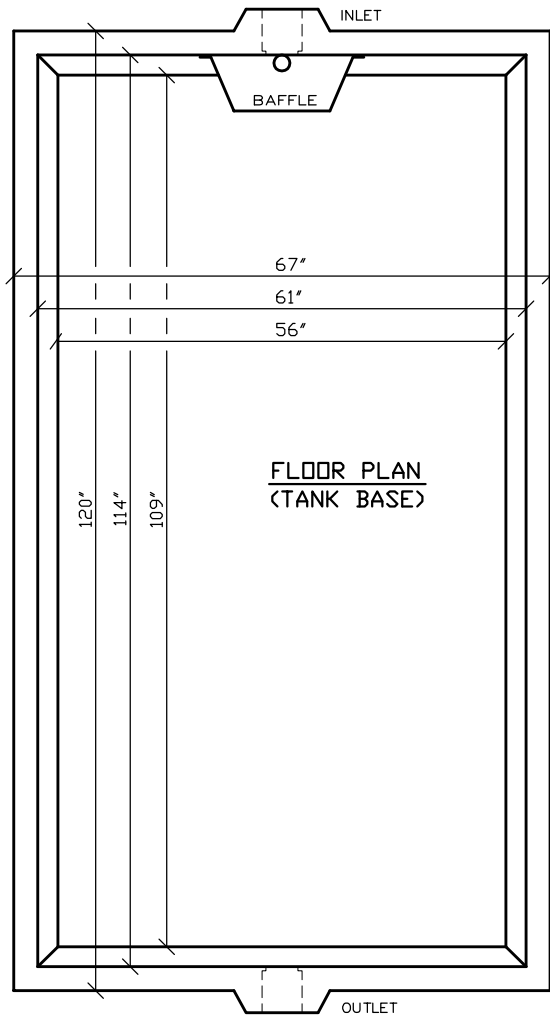
N.P.C.A. CERTIFIED PLANT
&
MEMBER OF:
NATIONAL & WISCONSIN PRECAST CONCRETE ASSOCIATIONS

THIS DRAWING SHALL NOT
BE COPIED OR SUBMITTED
TO OTHERS WITHOUT THE
CONSENT OF THIS COMPANY.

4154 123RD STREET
CHIPPEWA FALLS, WI 54729
(715) 723-7446 * (800) 924-1516
FAX (715) 723-7111 * www.huffcutt.com



PROJECT:
1,000 GAL. HEAVY DUTY
PUMP, SEPTIC, HOLDING,
OR GREASE INTERCEPTOR

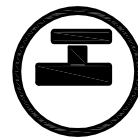


N.P.C.A. CERTIFIED PLANT
&
MEMBER OF:
NATIONAL & WISCONSIN PRECAST CONCRETE ASSOCIATIONS

THIS DRAWING SHALL NOT
BE COPIED OR SUBMITTED
TO OTHERS WITHOUT THE
CONSENT OF THIS COMPANY.

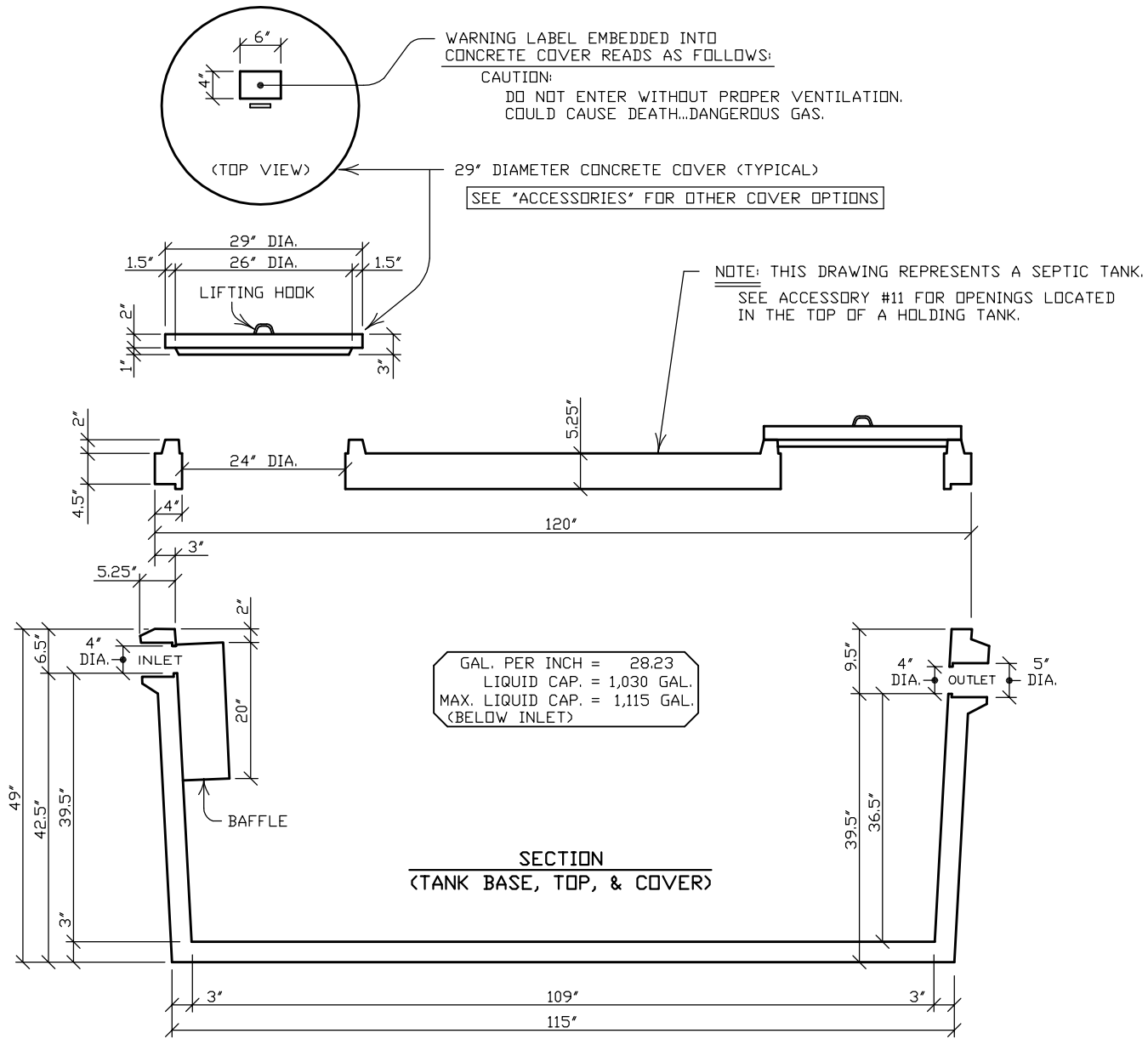
4154 123rd STREET
CHIPPEWA FALLS, WI 54729
(715) 723-7446 * (800) 924-1516
FAX (715) 723-7111 * www.huffcutt.com

HUFFCUTT
CONCRETE, INC



PROJECT:
1,000 GAL. LOW PROFILE
PUMP, SEPTIC,
OR HOLDING TANK

1 of 2



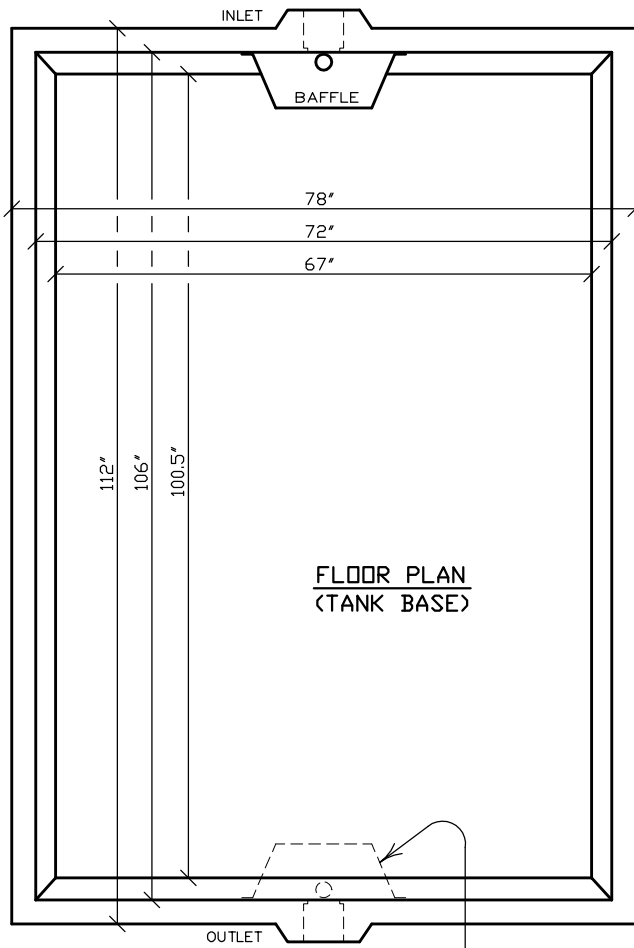
THIS DRAWING SHALL NOT BE COPIED OR SUBMITTED TO OTHERS WITHOUT THE CONSENT OF THIS COMPANY.

4154 123rd STREET
 CHIPPEWA FALLS, WI 54729
 (715) 723-7446 * (800) 924-1516
 FAX (715) 723-7111 * www.huffcutt.com

HUFFCUTT
 CONCRETE, INC.

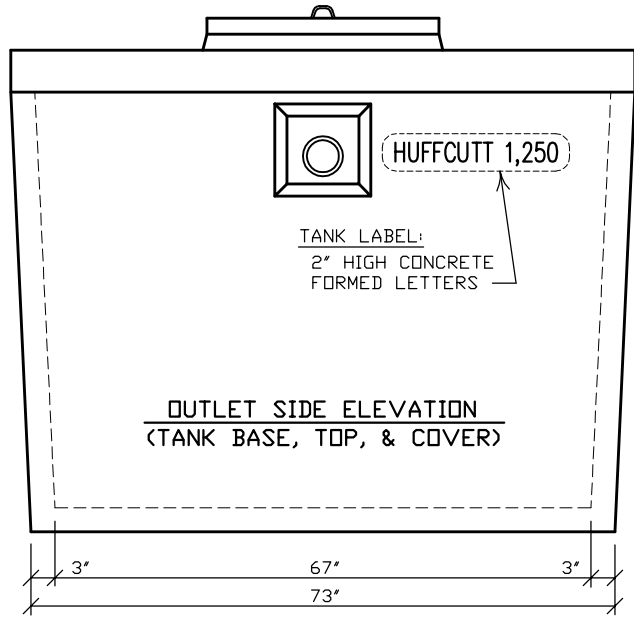


PROJECT:
 1,000 GAL. LOW PROFILE
 PUMP, SEPTIC,
 OR HOLDING TANK



FLOOR PLAN
(TANK BASE)

NOTE: ADDITIONAL BAFFLE FOR GREASE INTERCEPTOR.



OUTLET SIDE ELEVATION
(TANK BASE, TOP, & COVER)

N.P.C.A. CERTIFIED PLANT
&
MEMBER OF:
NATIONAL & WISCONSIN PRECAST CONCRETE ASSOCIATIONS

THIS DRAWING SHALL NOT
BE COPIED OR SUBMITTED
TO OTHERS WITHOUT THE
CONSENT OF THIS COMPANY.

4154 123rd STREET
CHIPPEWA FALLS, WI 54729
(715) 723-7446 * (800) 924-1516
FAX (715) 723-7111 * www.huffcutt.com



PROJECT:
1,250 GAL. LDW PROFILE
PUMP, SEPTIC, HOLDING,
OR GREASE INTERCEPTOR

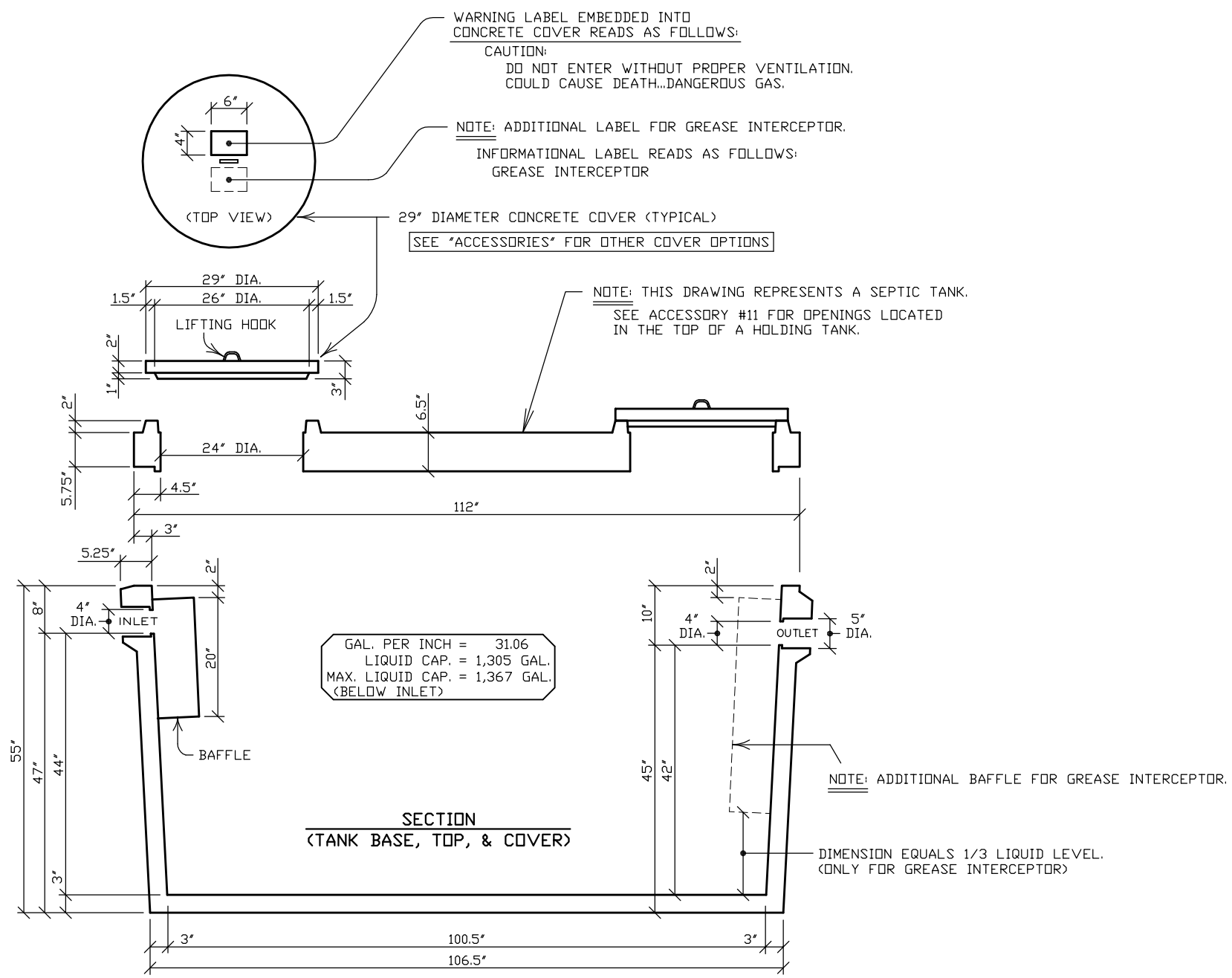
THIS DRAWING SHALL NOT
BE COPIED OR SUBMITTED
TO OTHERS WITHOUT THE
CONSENT OF THIS COMPANY.

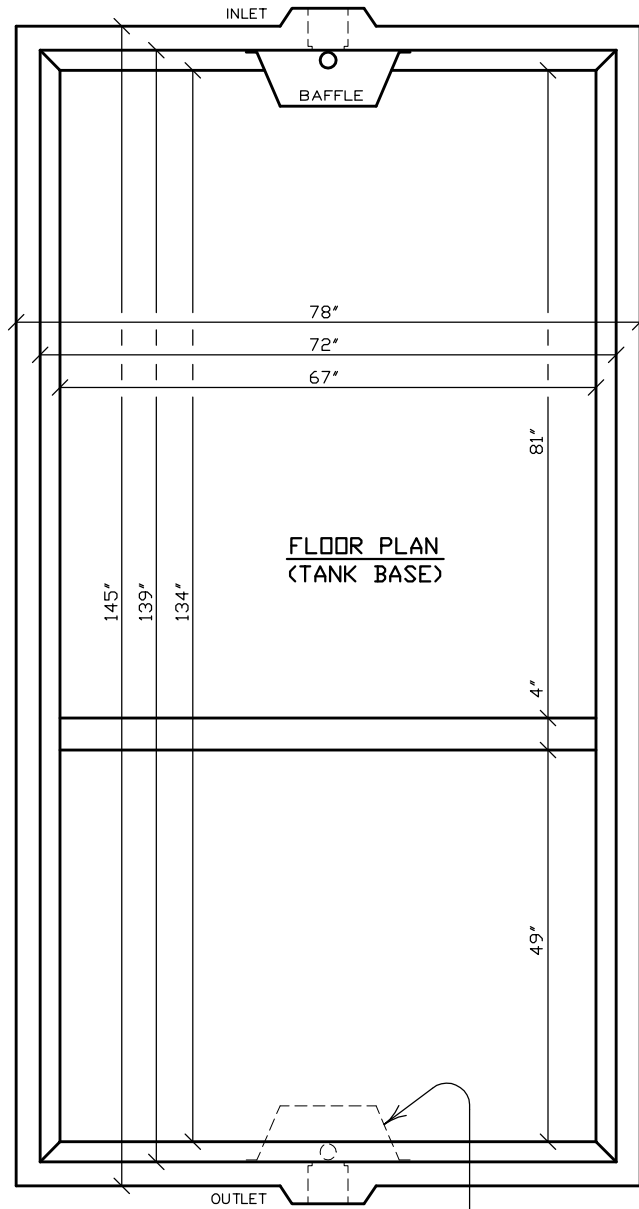
4154 123RD STREET
CHIPPEWA FALLS, WI 54729
(715) 723-7446 * (800) 924-1516
FAX (715) 723-7111 * www.huffcutt.com

HUFFCUTT
CONCRETE, INC

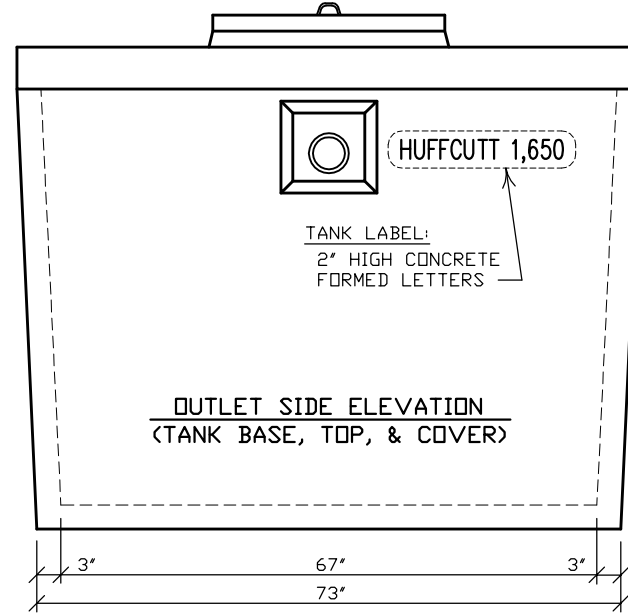


PROJECT:
1,250 GAL. LOW PROFILE
PUMP, SEPTIC, HOLDING,
OR GREASE INTERCEPTOR





NOTE: ADDITIONAL BAFFLE FOR GREASE INTERCEPTOR.



N.P.C.A. CERTIFIED PLANT
&
MEMBER OF:
NATIONAL & WISCONSIN PRECAST CONCRETE ASSOCIATIONS

THIS DRAWING SHALL NOT BE COPIED OR SUBMITTED TO OTHERS WITHOUT THE CONSENT OF THIS COMPANY.

4154 123rd STREET
CHIPPEWA FALLS, WI 54729
(715) 723-7446 * (800) 924-1516
FAX (715) 723-7111 * www.huffcutt.com

HUFFCUTT
CONCRETE, INC



PROJECT:
1,650 GAL. LDW PROFILE
PUMP, SEPTIC, HOLDING,
OR GREASE INTERCEPTOR

1 # 2

THIS DRAWING SHALL NOT
BE COPIED OR SUBMITTED
TO OTHERS WITHOUT THE
CONSENT OF THIS COMPANY.

4154 123RD STREET
CHIPPEWA FALLS, WI 54729
(715) 723-7446 * (800) 924-1516
FAX (715) 723-7111 * www.huffcutt.com

HUFFCUTT
CONCRETE, INC



PROJECT:
1,650 GAL. LOW PROFILE
PUMP, SEPTIC, HOLDING,
OR GREASE INTERCEPTOR

