

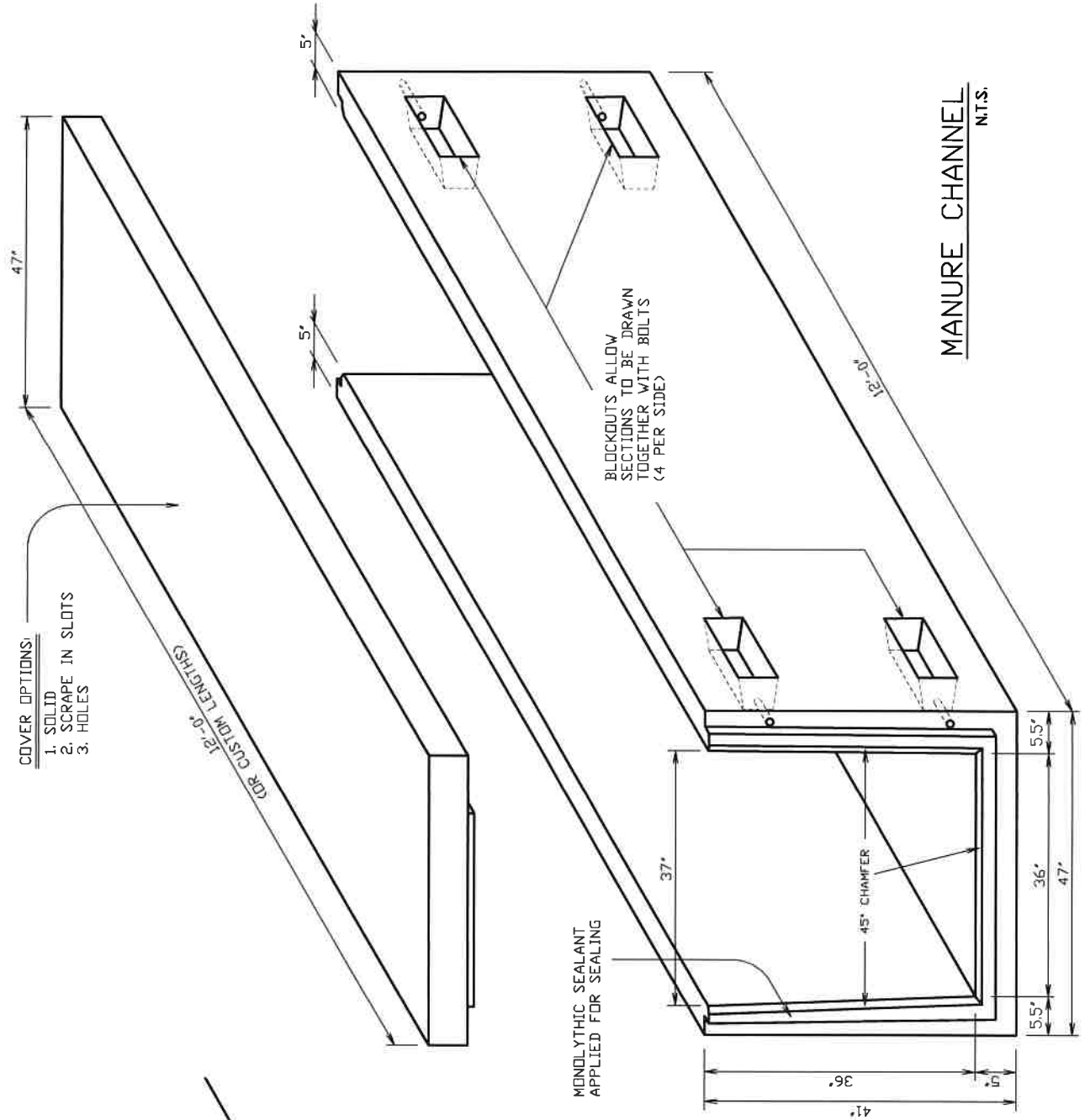
PROJECT: SAND GUTTER

HUFFCUTT CONCRETE, INC.
 4154 123rd STREET
 CHIPPEWA FALLS, WI 54729
 (715) 723-7446 * FAX (715) 723-7111 * (800) 924-1516 * www.huffcutt.com

N.P.C.A. CERTIFIED PLANT
 MEMBER OF:
 NATIONAL & WISCONSIN PRECAST CONCRETE ASSOCIATIONS

THIS DRAWING SHALL NOT BE COPIED OR REPRODUCED IN ANY MANNER WITHOUT THE WRITTEN CONSENT OF THIS COMPANY.

MANURE CHANNEL
 N.T.S.



- COVER OPTIONS:**
1. SOLID
 2. SCRAPER IN SLOTS
 3. HOLES

CLOSED END VIEW
 N.T.S.

