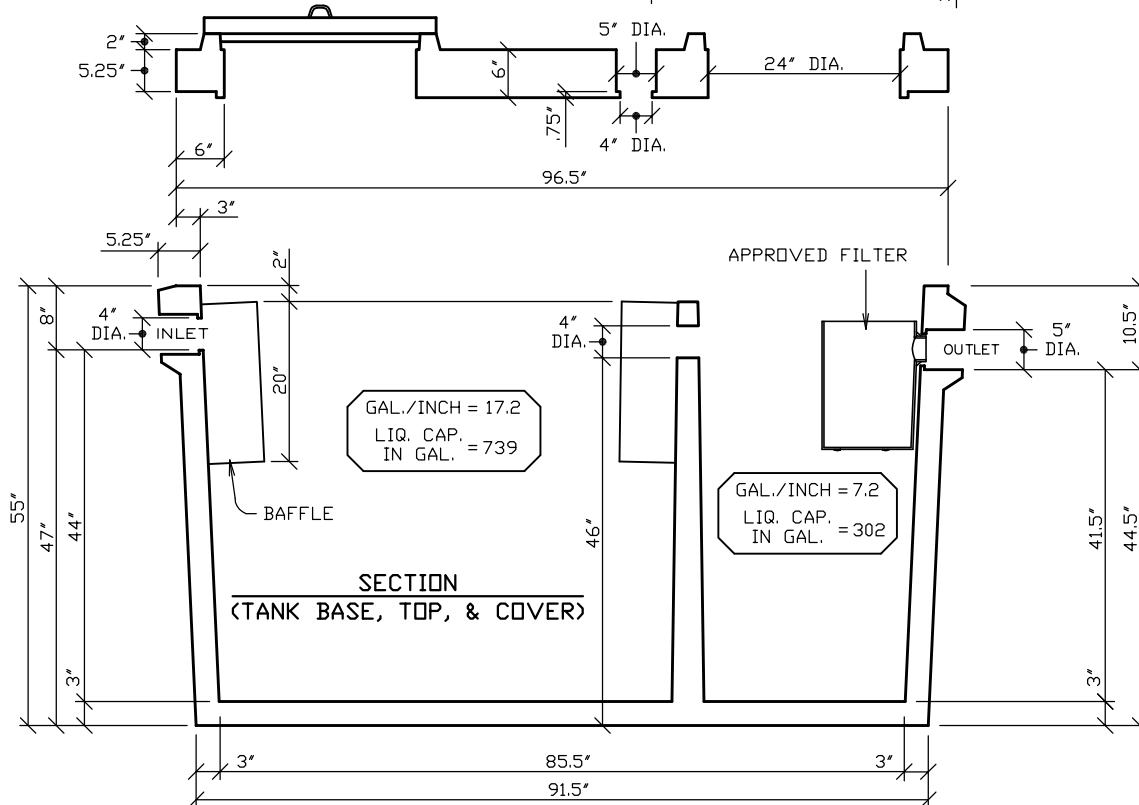
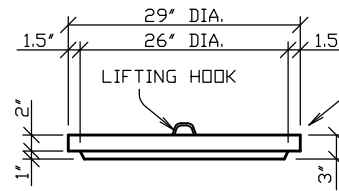


WARNING LABEL EMBEDDED INTO
CONCRETE COVER READS AS FOLLOWS:

CAUTION:
DO NOT ENTER WITHOUT PROPER VENTILATION.
COULD CAUSE DEATH...DANGEROUS GAS.

29" DIAMETER CONCRETE COVER (TYPICAL)

SEE "ACCESSORIES" FOR OTHER COVER OPTIONS



N.P.C.A. CERTIFIED PLANT
&
MEMBER OF:
NATIONAL & WISCONSIN PRECAST CONCRETE ASSOCIATIONS

THIS DRAWING SHALL NOT
BE COPIED OR SUBMITTED
TO OTHERS WITHOUT THE
CONSENT OF THIS COMPANY.

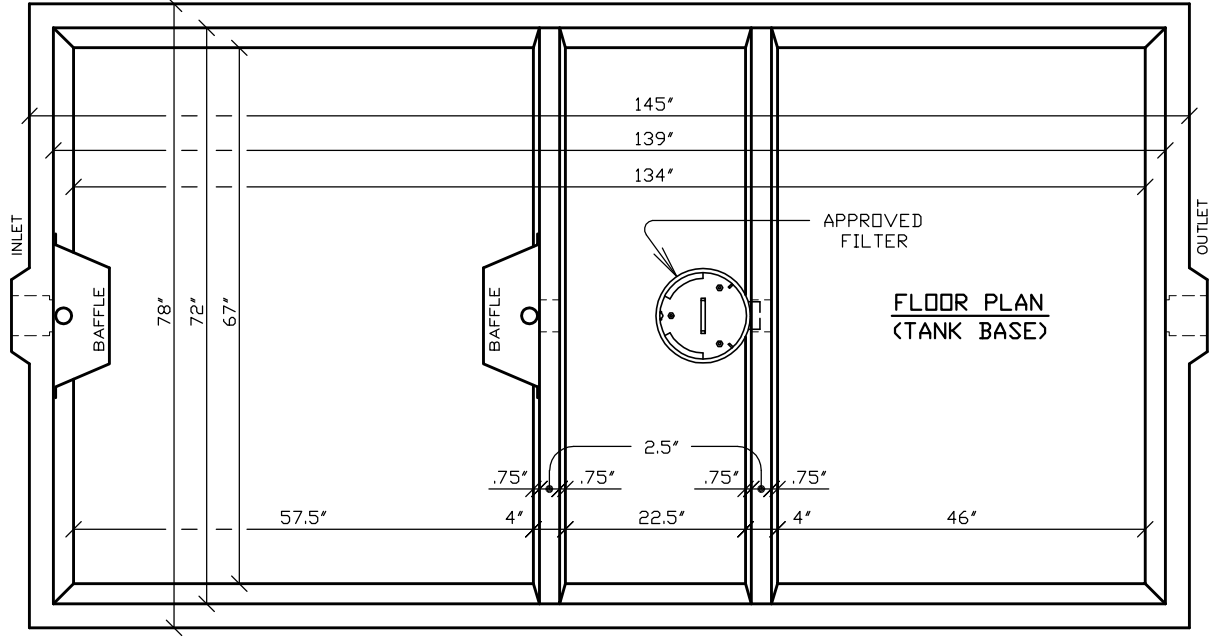
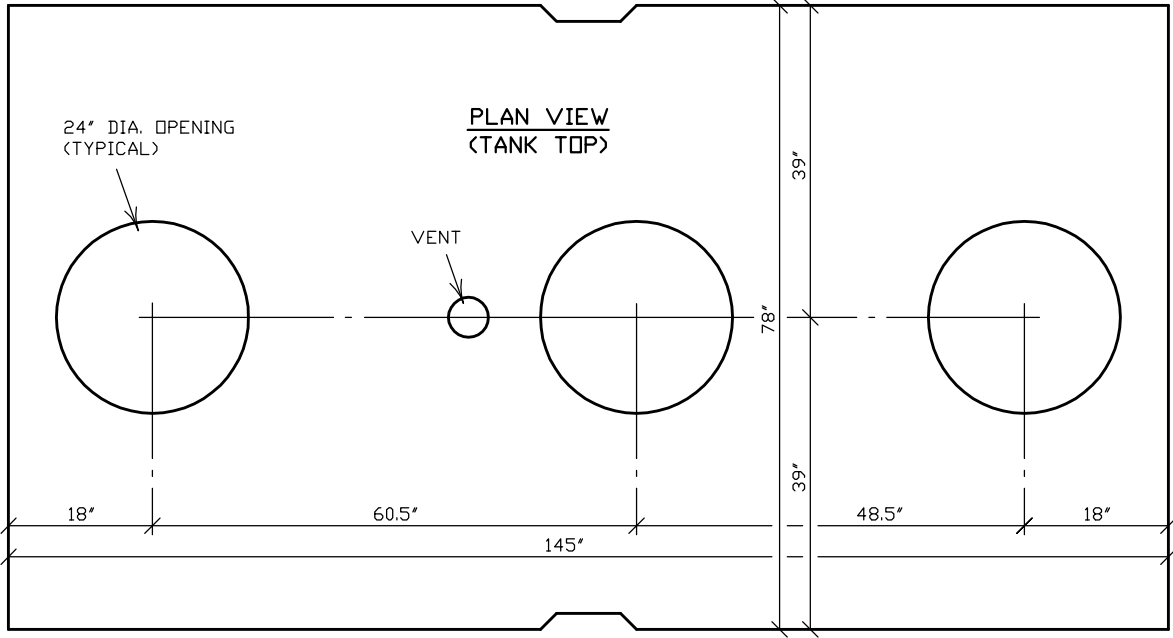
4154 123RD STREET
CHIPPEWA FALLS, WI 54729
(715) 723-7446 * (800) 924-1516
FAX (715) 723-7111 * www.huffcutt.com

**HUFFCUTT
CONCRETE, INC**



PROJECT:
700/300 GALLON
2 CHAMBER
SEPTIC TANK

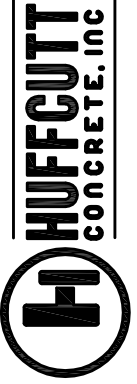
2 4 2



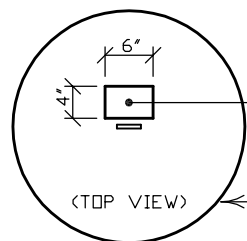
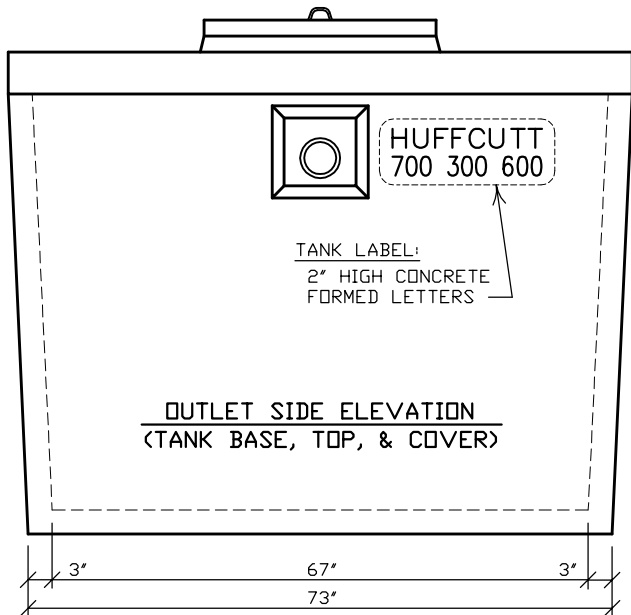
N.P.C.A. CERTIFIED PLANT & MEMBER OF: NATIONAL & WISCONSIN PRECAST CONCRETE ASSOCIATIONS

THIS DRAWING SHALL NOT BE COPIED OR SUBMITTED TO OTHERS WITHOUT THE CONSENT OF THIS COMPANY.

4154 123RD STREET
CHIPPEWA FALLS, WI 54729
(715) 723-7446 * (800) 924-1516
FAX (715) 723-7111 * www.huffcutt.com



PROJECT:
700/300/600 GALLON
3 CHAMBER
COMBINATION TANK

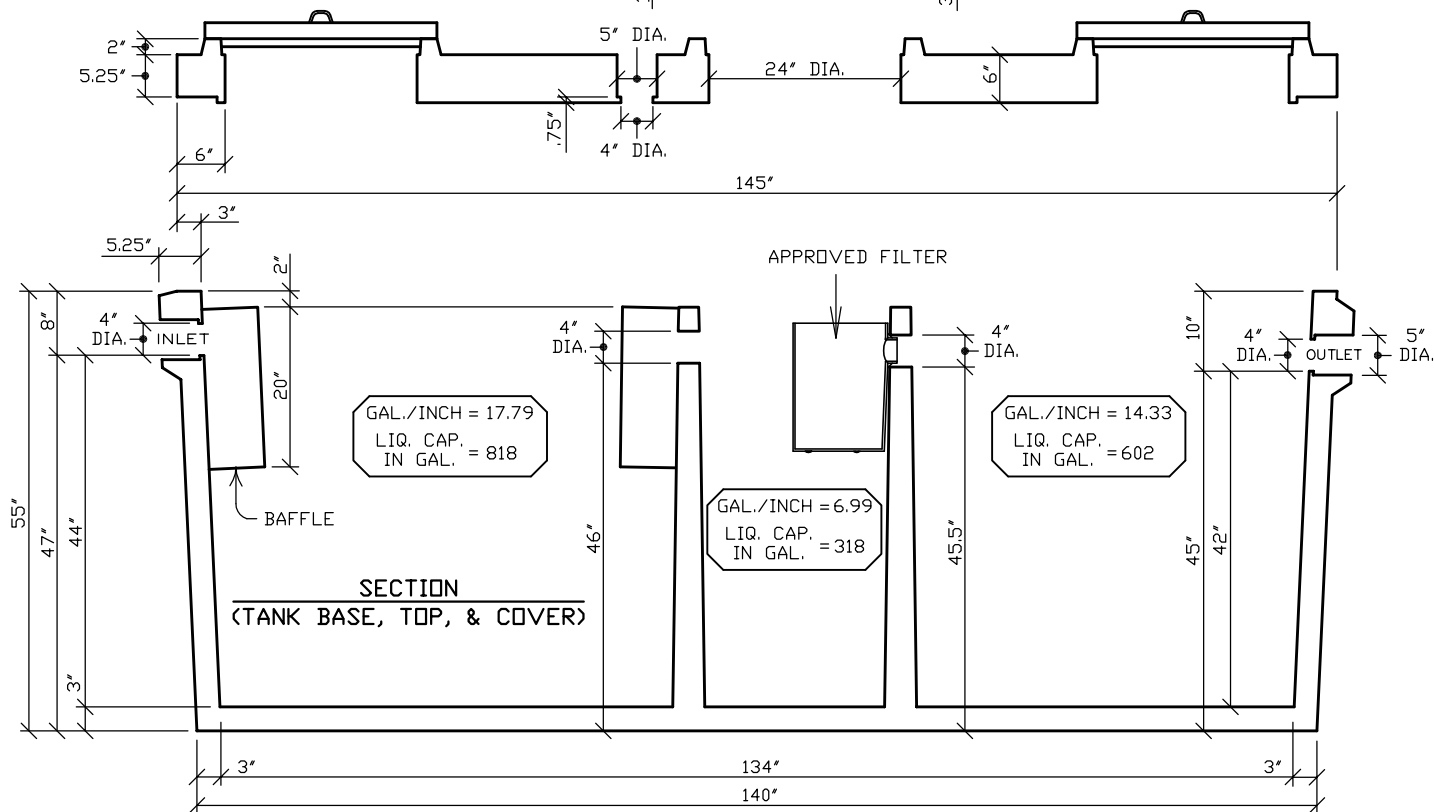
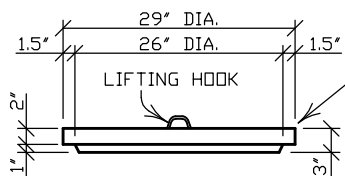


WARNING LABEL EMBEDDED INTO CONCRETE COVER READS AS FOLLOWS:

CAUTION:
DO NOT ENTER WITHOUT PROPER VENTILATION.
COULD CAUSE DEATH...DANGEROUS GAS.

29" DIAMETER CONCRETE COVER (TYPICAL)

SEE "ACCESSORIES" FOR OTHER COVER OPTIONS



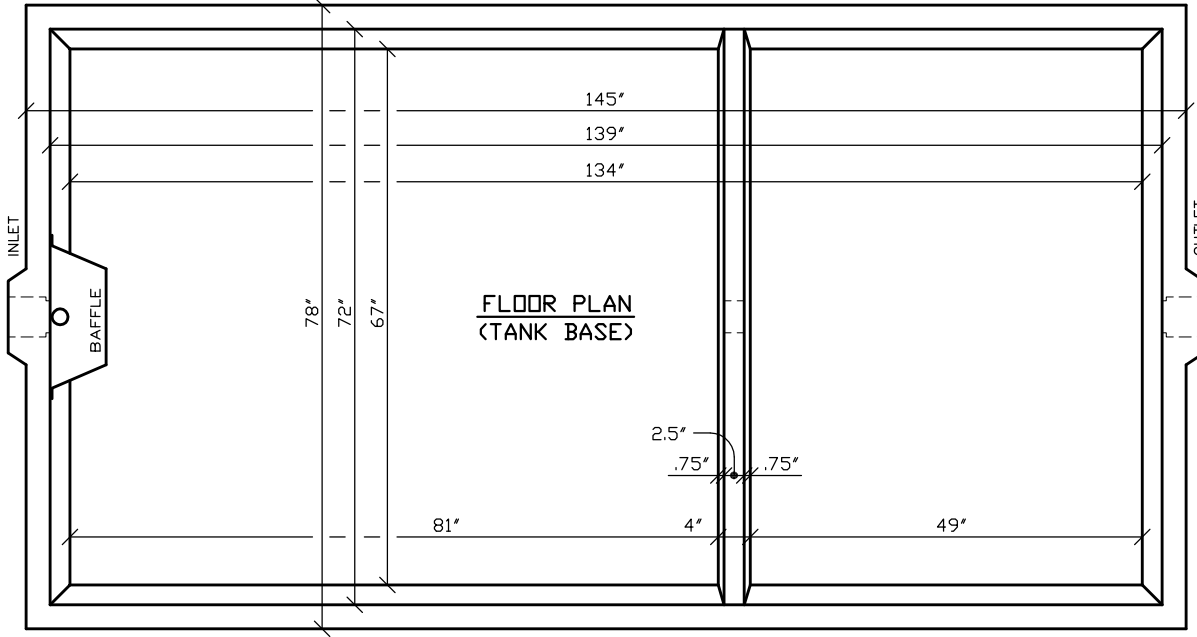
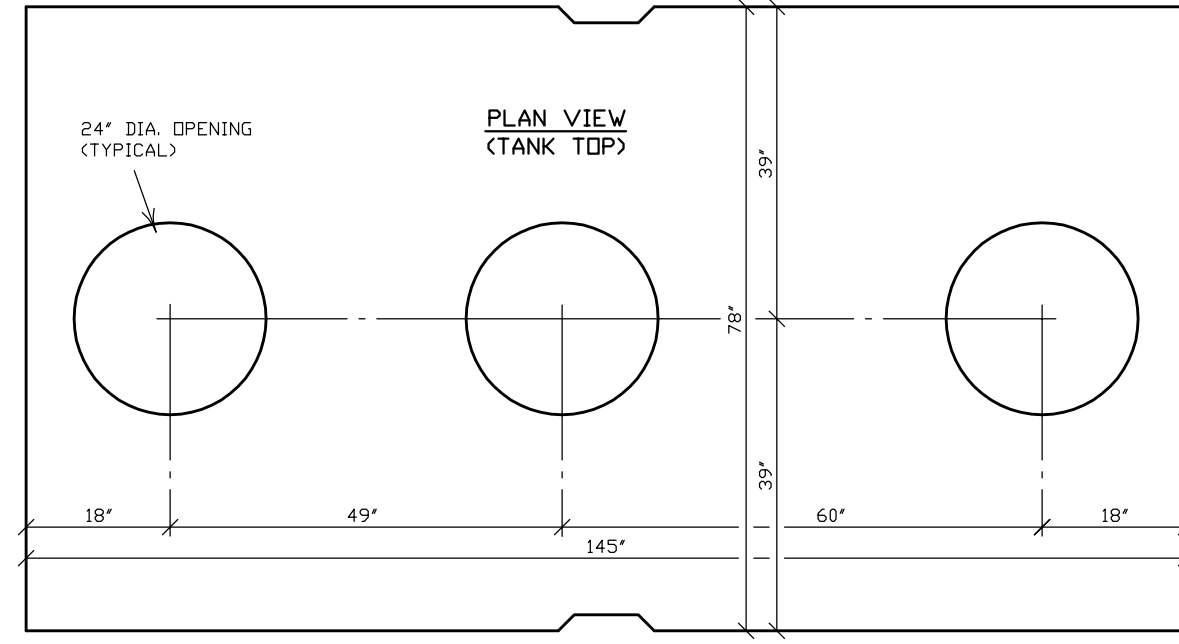
N.P.C.A. CERTIFIED PLANT
&
MEMBER OF:
NATIONAL & WISCONSIN PRECAST CONCRETE ASSOCIATIONS

THIS DRAWING SHALL NOT BE COPIED OR SUBMITTED TO OTHERS WITHOUT THE CONSENT OF THIS COMPANY.

4154 123RD STREET
CHIPPEWA FALLS, WI 54729
(715) 723-7446 * (800) 924-1516
FAX (715) 723-7111 * www.huffcutt.com



PROJECT:
700/300/600 GALLON
3 CHAMBER
COMBINATION TANK



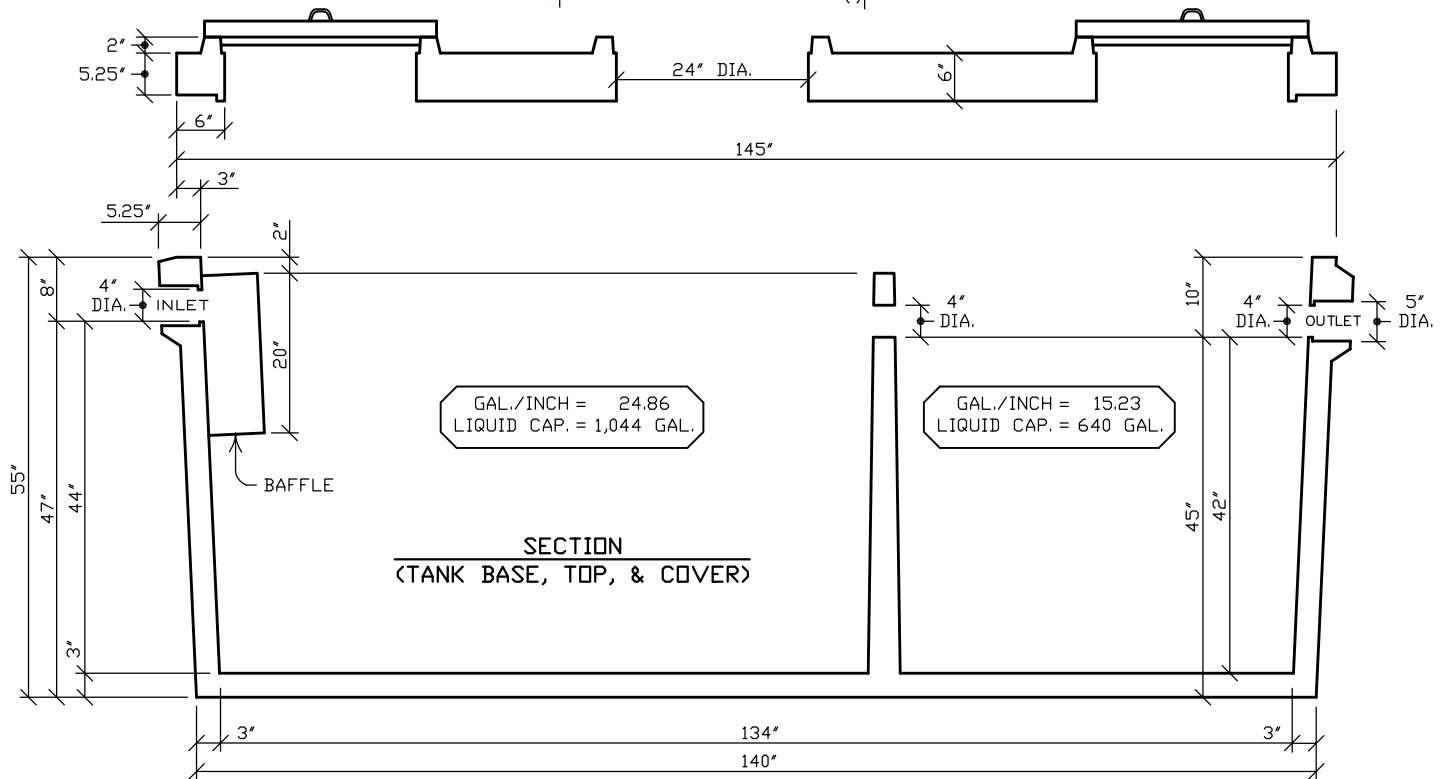
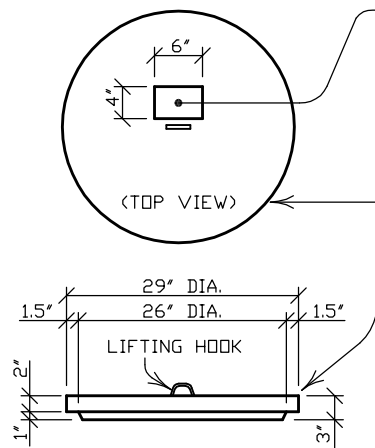
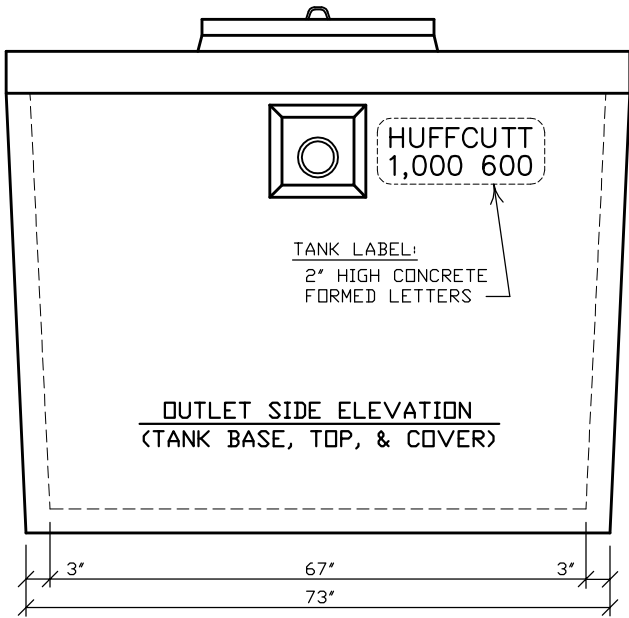
N.P.C.A. CERTIFIED PLANT
&
MEMBER OF:
NATIONAL & WISCONSIN PRECAST CONCRETE ASSOCIATIONS

THIS DRAWING SHALL NOT
BE COPIED OR SUBMITTED
TO OTHERS WITHOUT THE
CONSENT OF THIS COMPANY.

4154 123rd STREET
CHIPPEWA FALLS, WI 54729
(715) 723-7446 * (800) 924-1516
FAX (715) 723-7111 * www.huffcutt.com



PROJECT:
1,000/600 GALLON
PUMP DR SEPTIC TANK



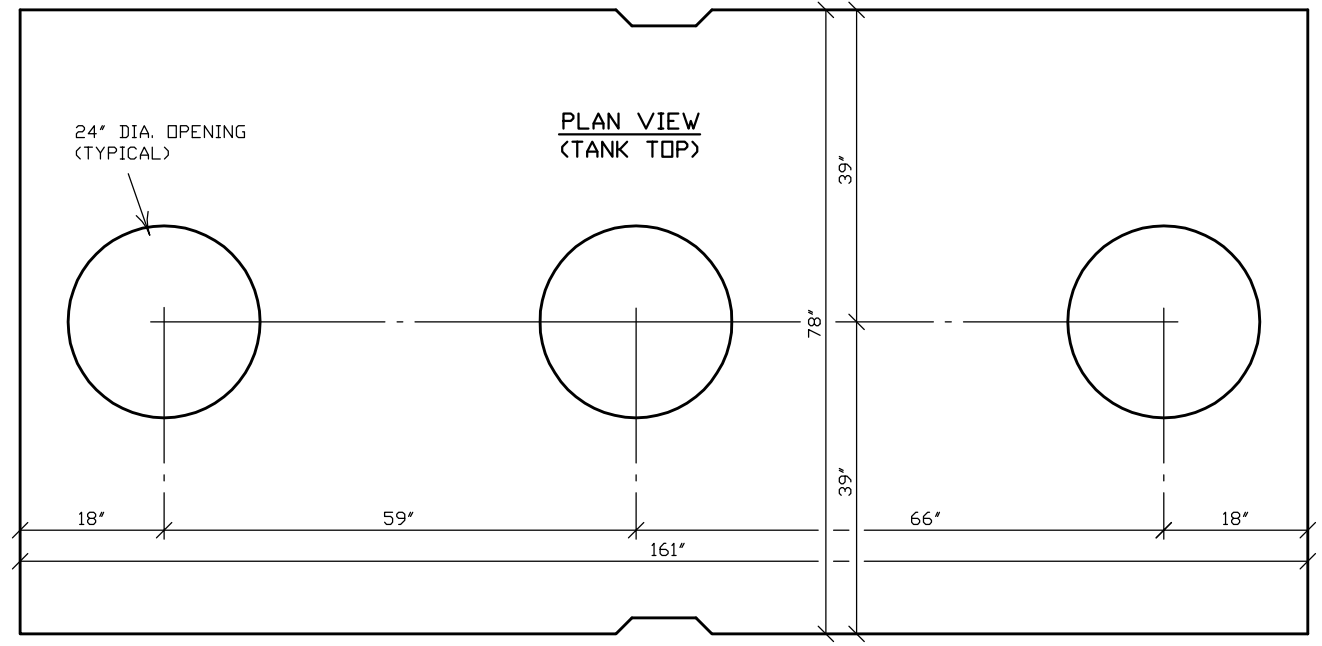
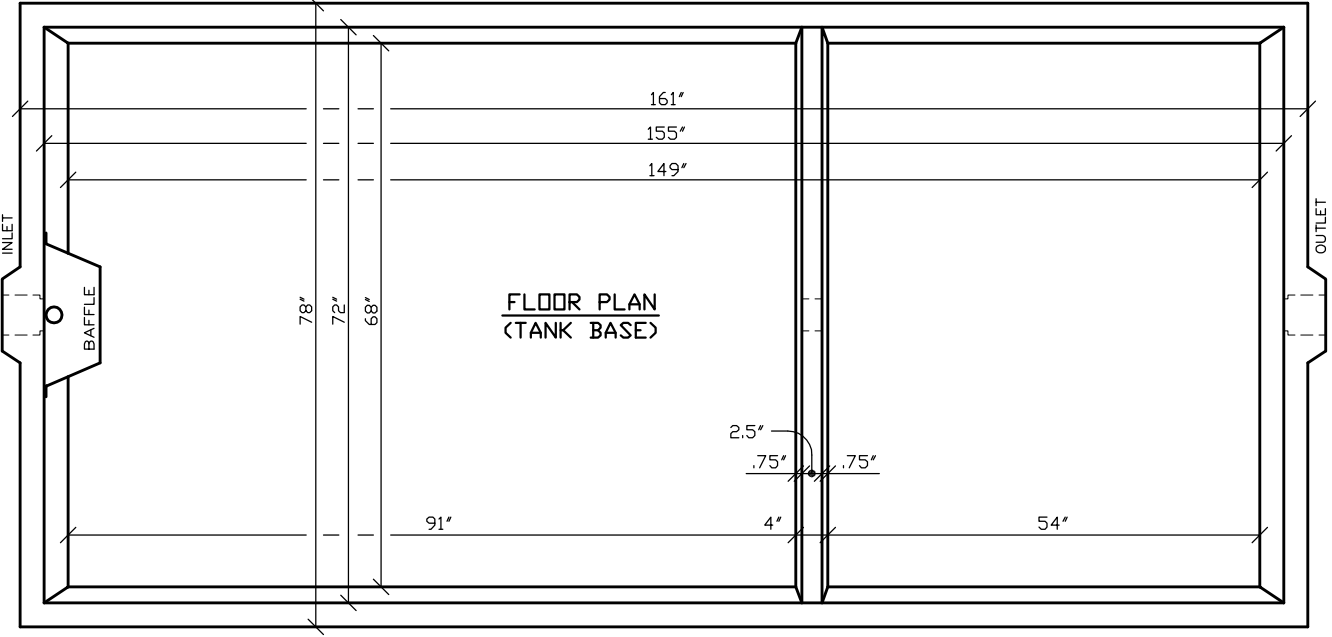
N.P.C.A. CERTIFIED PLANT
&
MEMBER OF:
NATIONAL & WISCONSIN PRECAST CONCRETE ASSOCIATIONS

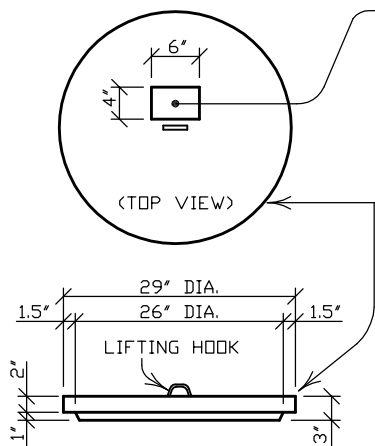
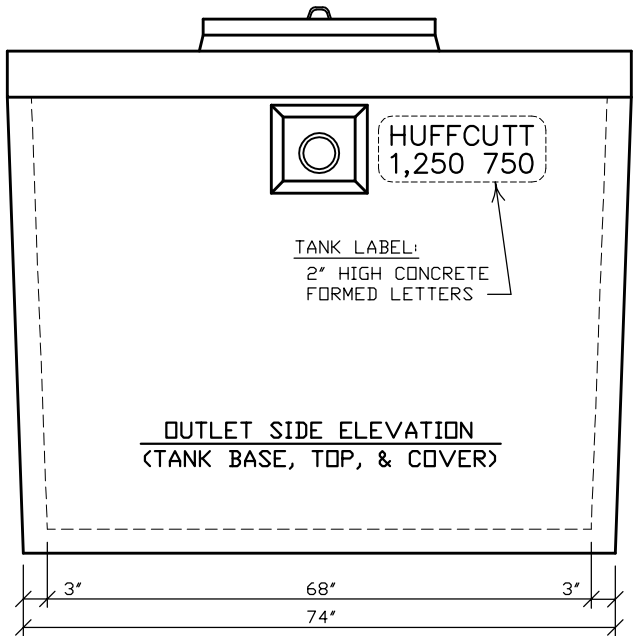
THIS DRAWING SHALL NOT
BE COPIED OR SUBMITTED
TO OTHERS WITHOUT THE
CONSENT OF THIS COMPANY.

4154 123rd STREET
CHIPPEWA FALLS, WI 54729
(715) 723-7446 * (800) 924-1516
FAX (715) 723-7111 * www.huffcutt.com



PROJECT:
1,000/600 GALLON
PUMP OR SEPTIC TANK





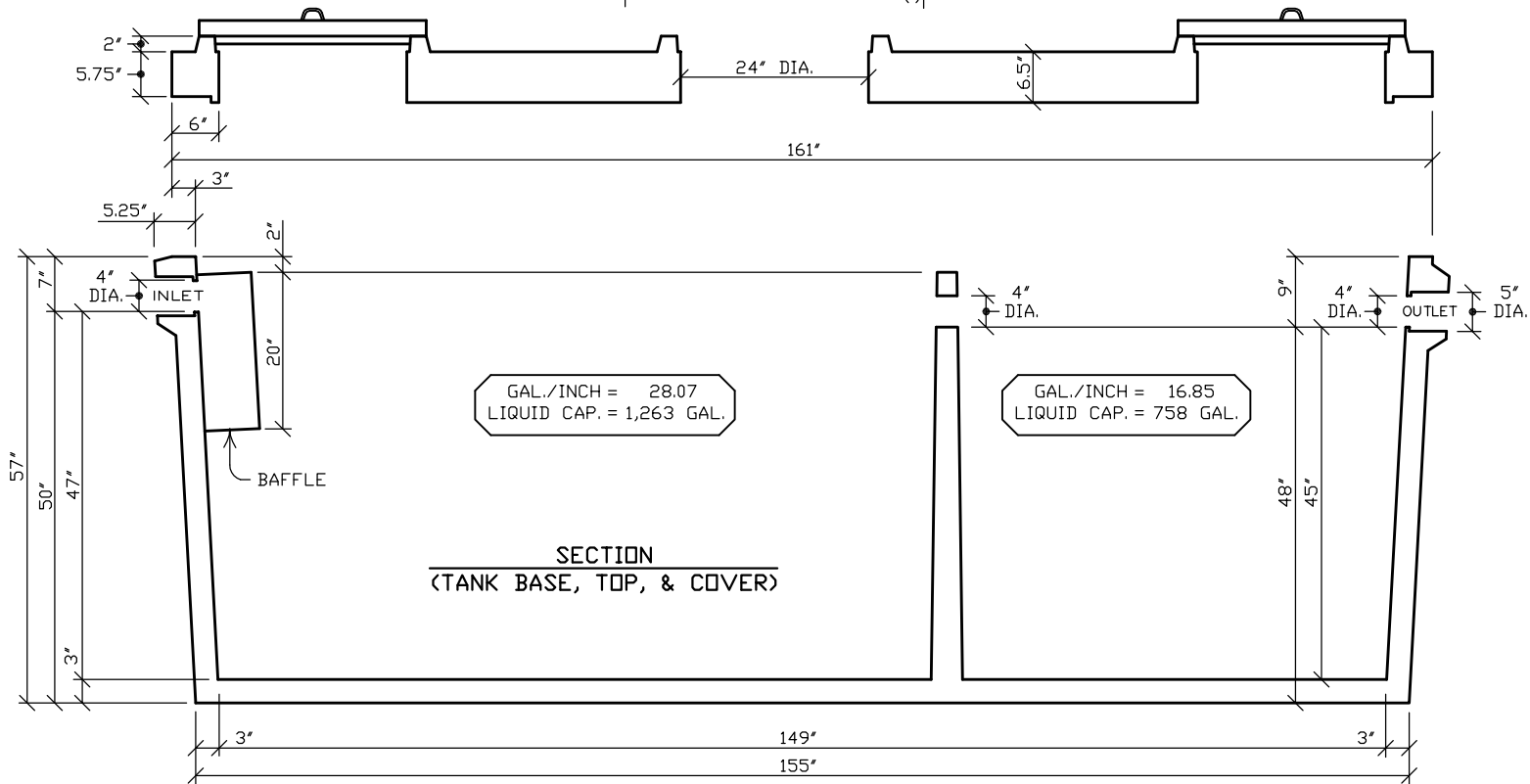
WARNING LABEL EMBEDDED INTO CONCRETE COVER READS AS FOLLOWS:

CAUTION:

DO NOT ENTER WITHOUT PROPER VENTILATION. COULD CAUSE DEATH...DANGEROUS GAS.

29" DIAMETER CONCRETE COVER (TYPICAL)

SEE "ACCESSORIES" FOR OTHER COVER OPTIONS



N.P.C.A. CERTIFIED PLANT
&
MEMBER OF:
NATIONAL & WISCONSIN PRECAST CONCRETE ASSOCIATIONS

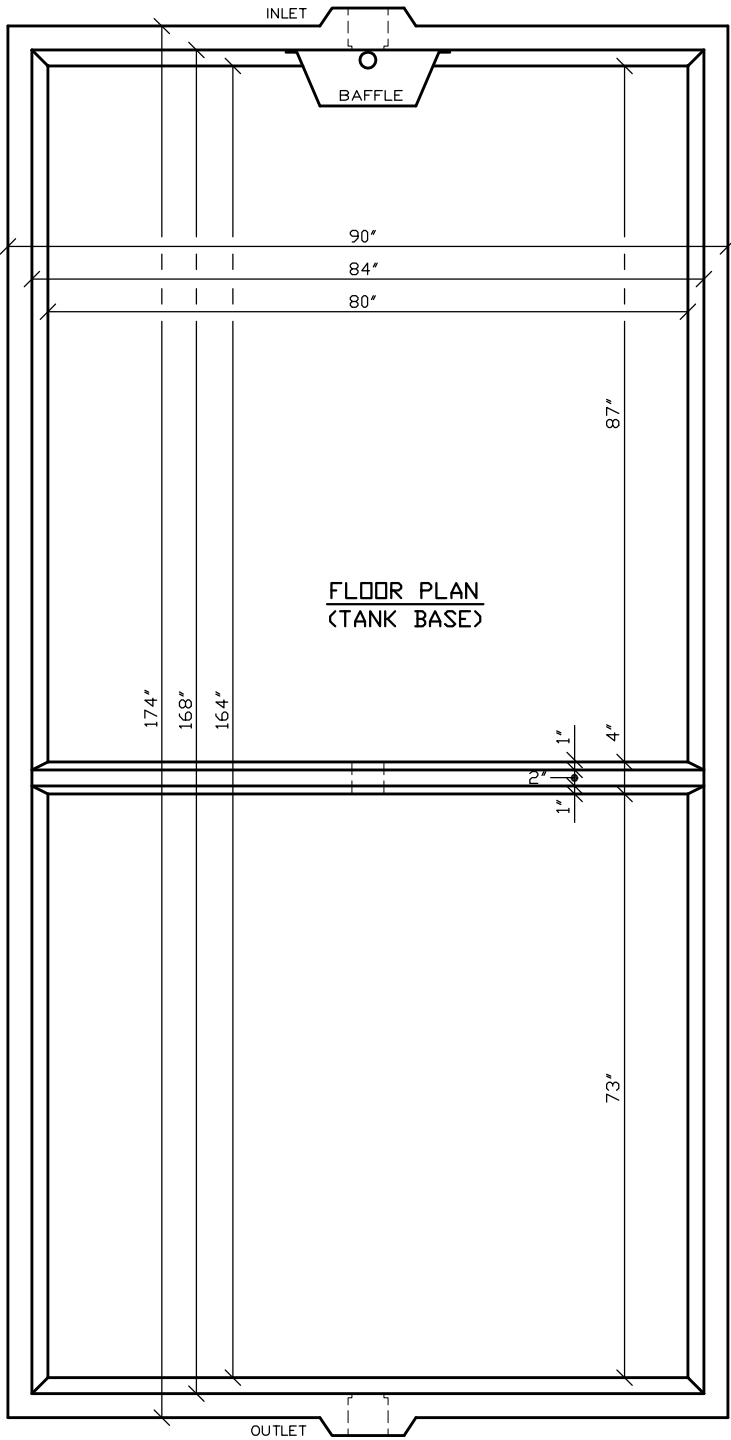
THIS DRAWING SHALL NOT BE COPIED OR SUBMITTED TO OTHERS WITHOUT THE CONSENT OF THIS COMPANY.

4154 123RD STREET
CHIPPEWA FALLS, WI 54729
(715) 723-7446 * (800) 924-1516
FAX (715) 723-7111 * www.huffcutt.com

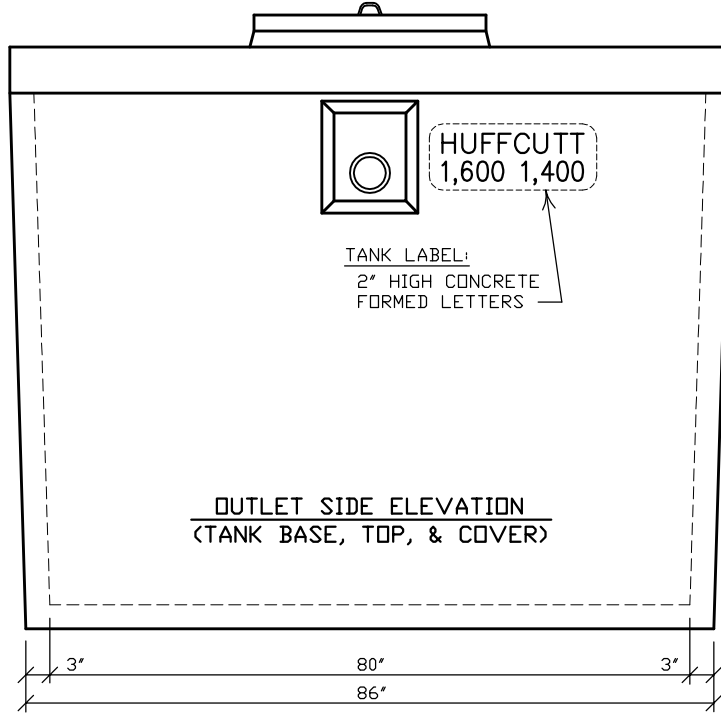
**HUFFCUTT
CONCRETE, INC.**



PROJECT:
1,250/750 GALLON
PUMP OR SEPTIC TANK



FLOOR PLAN
(TANK BASE)



OUTLET SIDE ELEVATION
(TANK BASE, TOP, & COVER)

N.P.C.A. CERTIFIED PLANT
&
MEMBER OF:
NATIONAL & WISCONSIN PRECAST CONCRETE ASSOCIATIONS

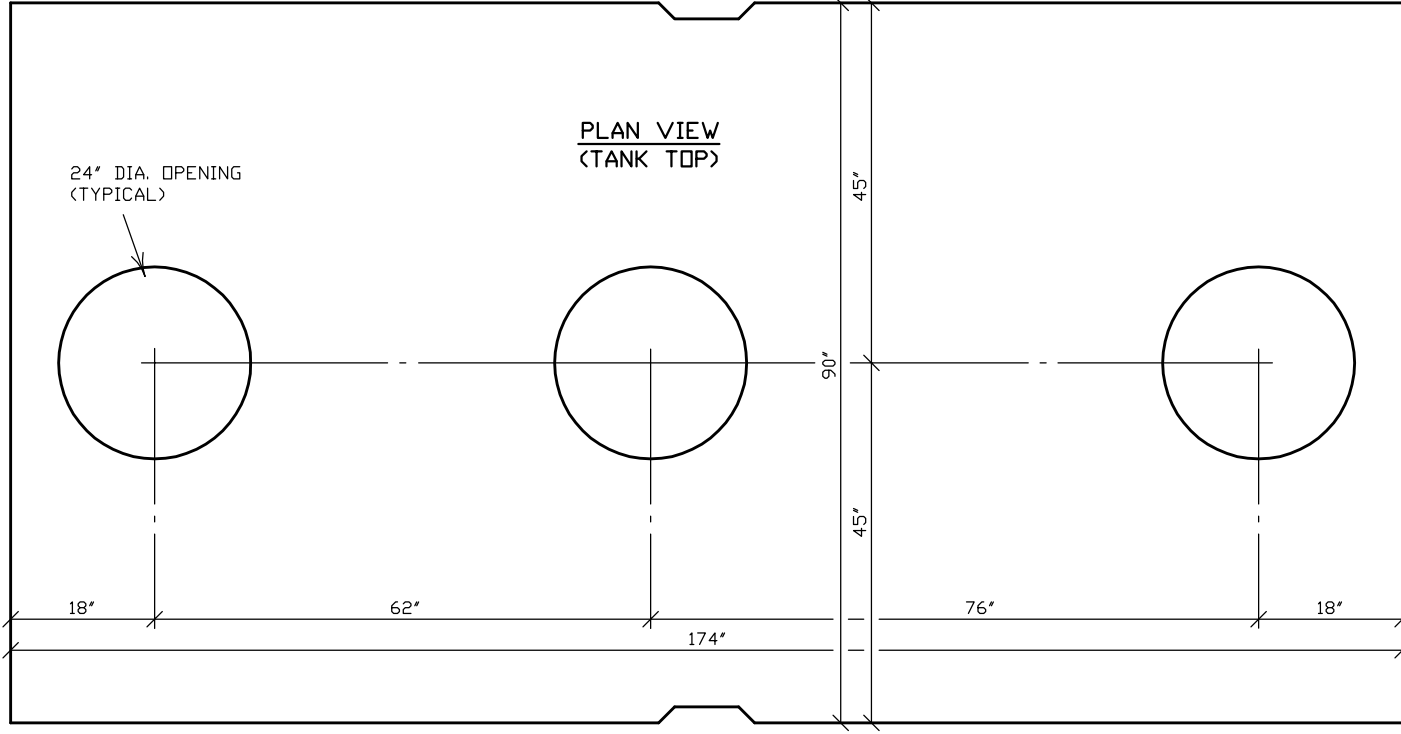
THIS DRAWING SHALL NOT
BE COPIED OR SUBMITTED
TO OTHERS WITHOUT THE
CONSENT OF THIS COMPANY.

4154 123rd STREET
CHIPPEWA FALLS, WI 54729
(715) 723-7446 * (800) 924-1516
FAX (715) 723-7111 * www.huffcutt.com

HUFFCUTT
CONCRETE, INC



PROJECT:
1,600/1,400 GALLON
PUMP OR SEPTIC TANK



NS

PROJECT:
1,600/1,400 GALLON
PUMP DR SEPTIC TANK

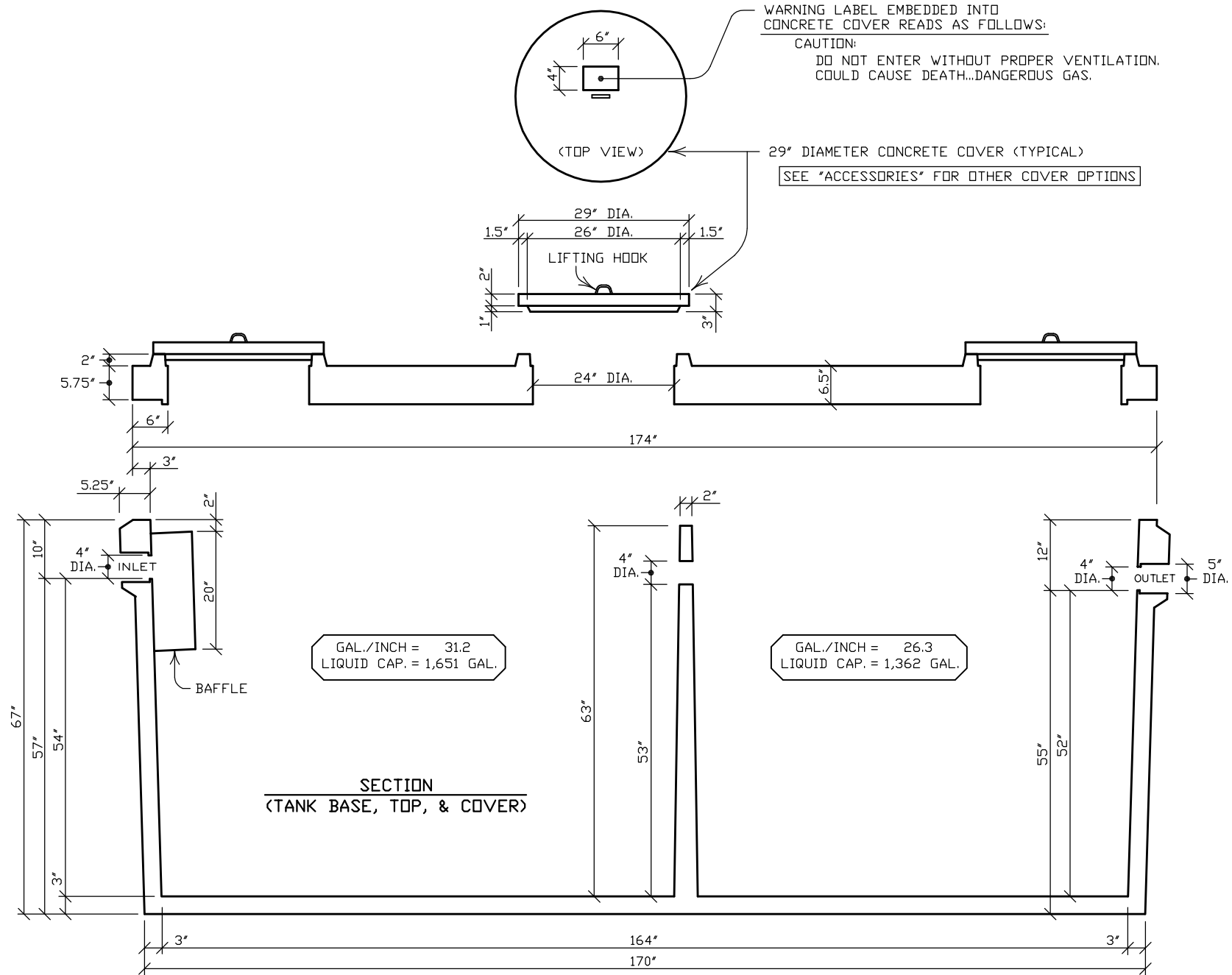


HUFFCUTT
CONCRETE, INC

4154 123rd STREET
CHIPPEWA FALLS, WI 54729
(715) 723-7446 * (800) 924-1516
FAX (715) 723-7111 * www.huffcutt.com

THIS DRAWING SHALL NOT
BE COPIED OR SUBMITTED
TO OTHERS WITHOUT THE
CONSENT OF THIS COMPANY.

N.P.C.A. CERTIFIED PLANT
&
MEMBER OF:
NATIONAL & WISCONSIN PRECAST CONCRETE ASSOCIATIONS



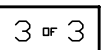
N.P.C.A. CERTIFIED PLANT
&
MEMBER OF:
NATIONAL & WISCONSIN PRECAST CONCRETE ASSOCIATIONS

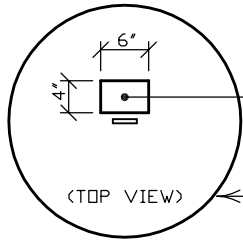
THIS DRAWING SHALL NOT BE COPIED OR SUBMITTED TO OTHERS WITHOUT THE CONSENT OF THIS COMPANY.

4154 123RD STREET
CHIPPEWA FALLS, WI 54729
(715) 723-7446 * (800) 924-1516
FAX (715) 723-7111 * www.huffcutt.com



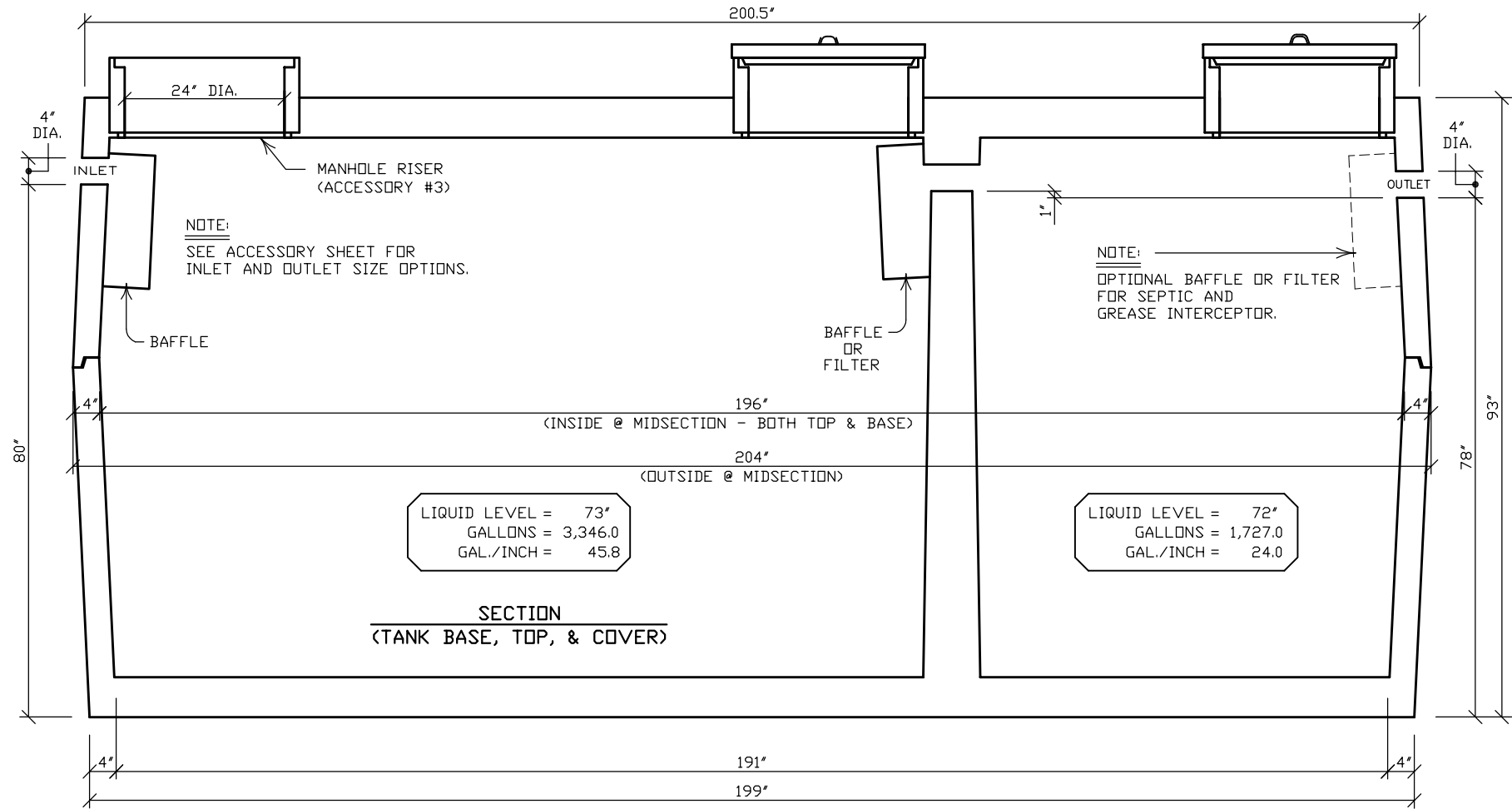
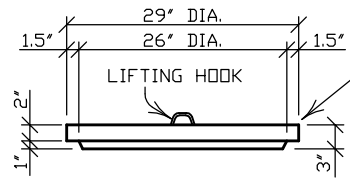
PROJECT:
1,600/1,400 GALLON
PUMP OR SEPTIC TANK





WARNING LABEL EMBEDDED INTO CONCRETE COVER READS AS FOLLOWS:
CAUTION:
 DO NOT ENTER WITHOUT PROPER VENTILATION.
 COULD CAUSE DEATH...DANGEROUS GAS.

29" DIAMETER CONCRETE COVER (TYPICAL)
 SEE "ACCESSORIES" FOR OTHER COVER OPTIONS



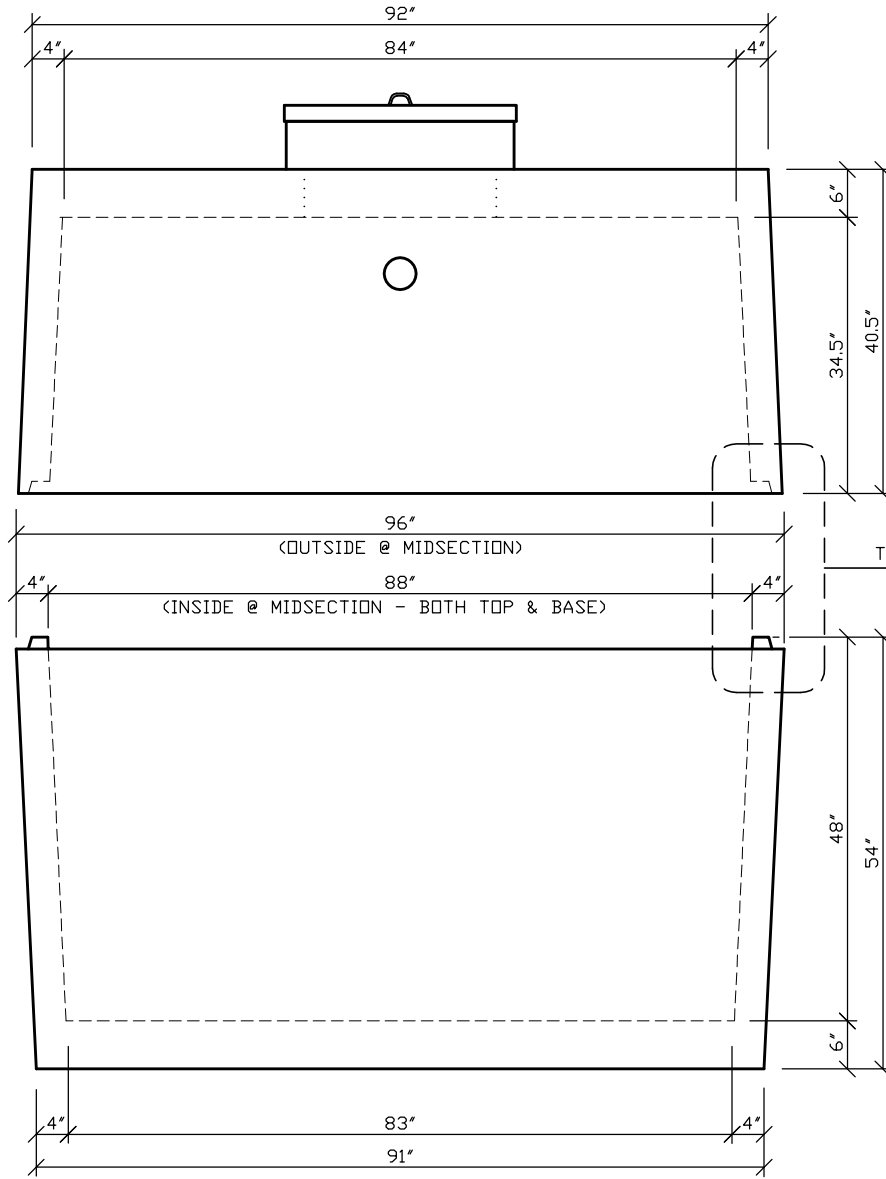
N.P.C.A. CERTIFIED PLANT & MEMBER OF:
 NATIONAL & WISCONSIN PRECAST CONCRETE ASSOCIATIONS

THIS DRAWING SHALL NOT BE COPIED OR SUBMITTED TO OTHERS WITHOUT THE CONSENT OF THIS COMPANY.

4154 123rd STREET
 CHIPPEWA FALLS, WI 54729
 (715) 723-7446 * (800) 924-1516
 FAX (715) 723-7111 * www.huffcutt.com

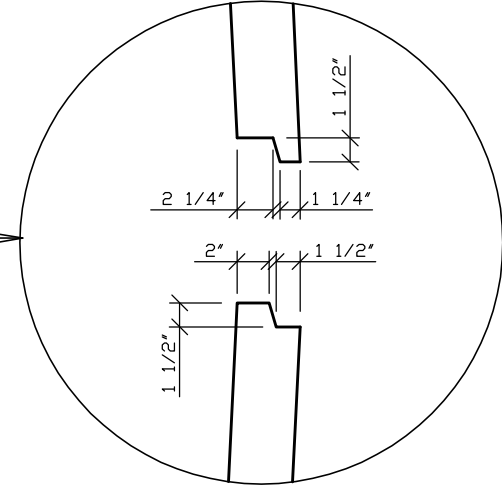


PROJECT:
 3,300/1,700 GALLON
 SEPTIC, PUMP, HOLDING,
 & GREASE INTERCEPTOR



OUTLET SIDE ELEVATION
 (TANK BASE, TOP, & COVER)

TONGUE & GROOVE DETAIL



N.P.C.A. CERTIFIED PLANT
 &
 MEMBER OF:
 NATIONAL & WISCONSIN PRECAST CONCRETE ASSOCIATIONS

THIS DRAWING SHALL NOT
 BE COPIED OR SUBMITTED
 TO OTHERS WITHOUT THE
 CONSENT OF THIS COMPANY.

4154 123rd STREET
 CHIPPEWA FALLS, WI 54729
 (715) 723-7446 * (800) 924-1516
 FAX (715) 723-7111 * www.huffcutt.com

HUFFCUTT
CONCRETE, INC



PROJECT:
 3,300/1,700 GALLON
 SEPTIC, PUMP, HOLDING,
 & GREASE INTERCEPTOR